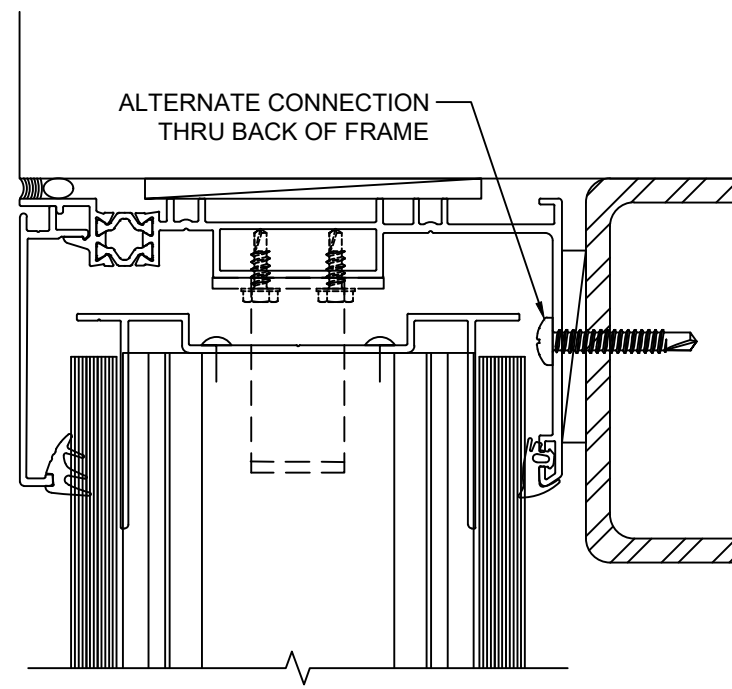
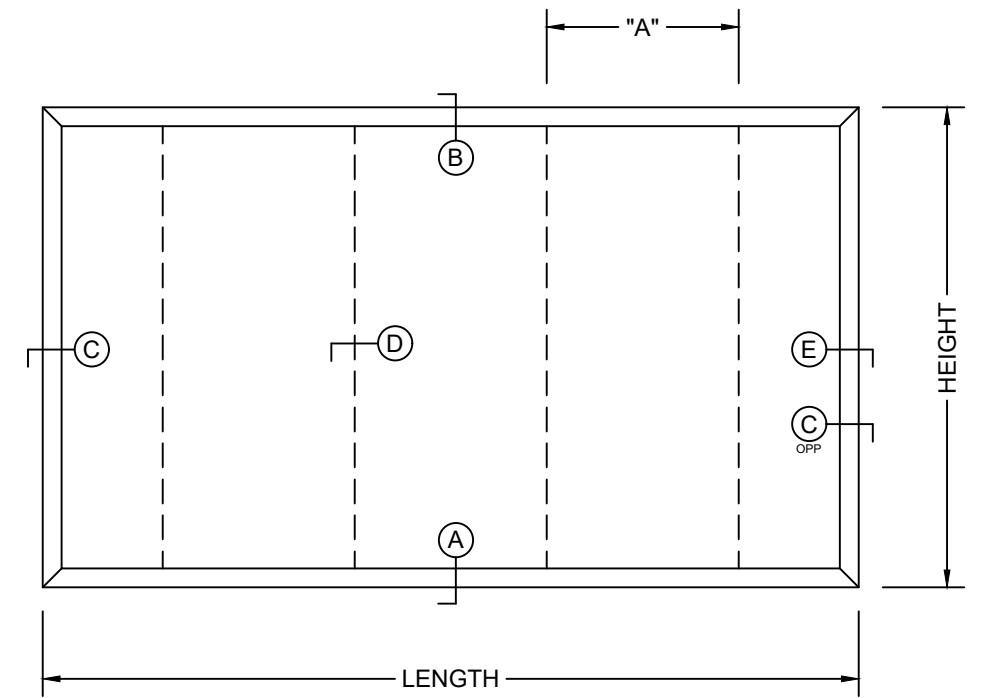


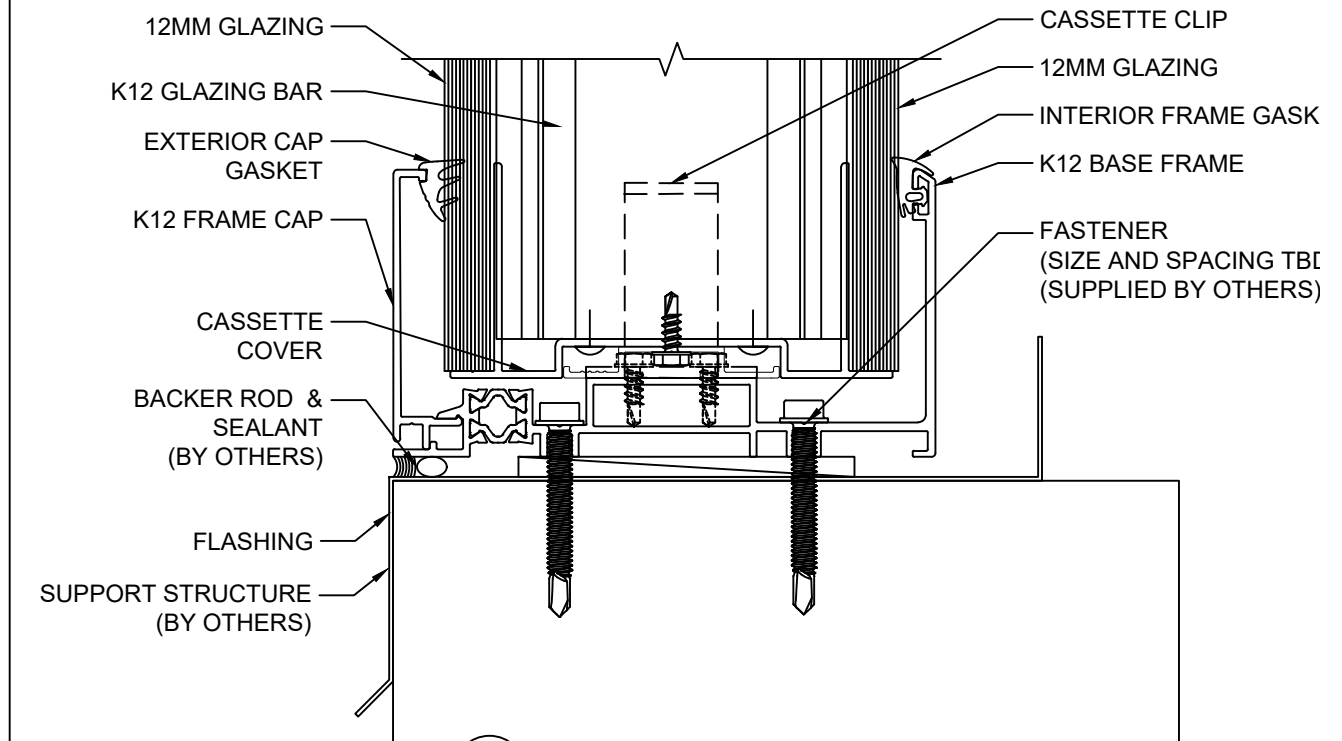
**B<sub>1</sub> HEAD DETAIL**  
SCALE: 1:2



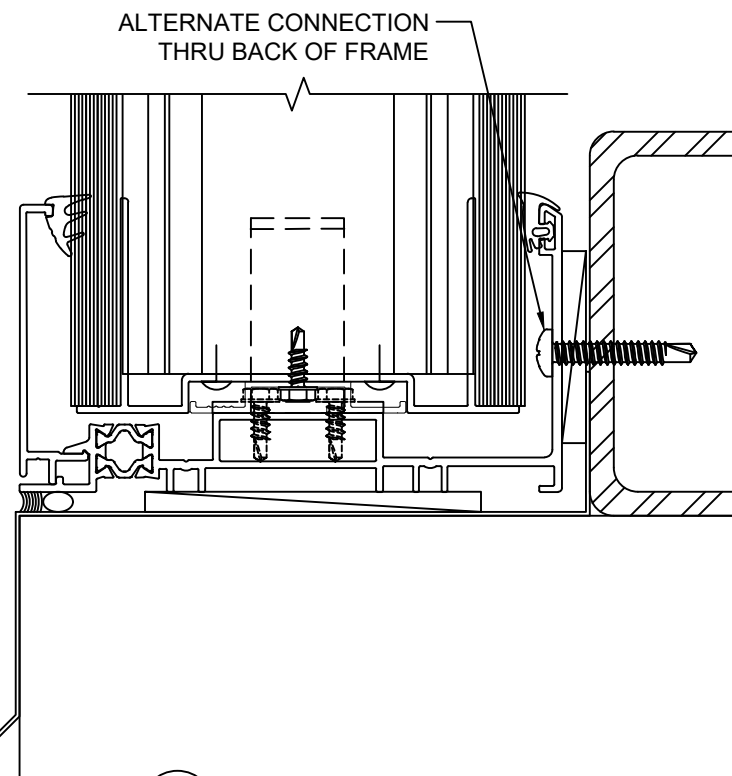
**B<sub>2</sub> HEAD DETAIL**  
SCALE: 1:2



"A"	
600mm	23.62in
900mm	35.43in

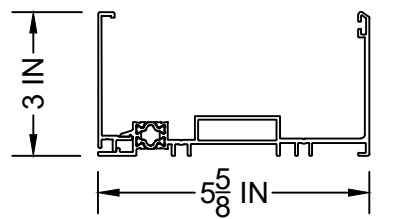


**A<sub>1</sub> SILL DETAIL**  
SCALE: 1:2



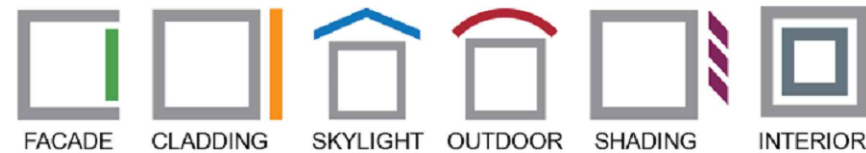
**A<sub>2</sub> SILL DETAIL**  
SCALE: 1:2

**FRAME DIMENSIONS**



3959 Bur Wood Drive  
Suite 400  
Waukegan, IL 60085  
312.724.8166  
www.danpal.com

**K12 FACADE SYSTEM**  
SAMPLE DETAILS



**Note:**

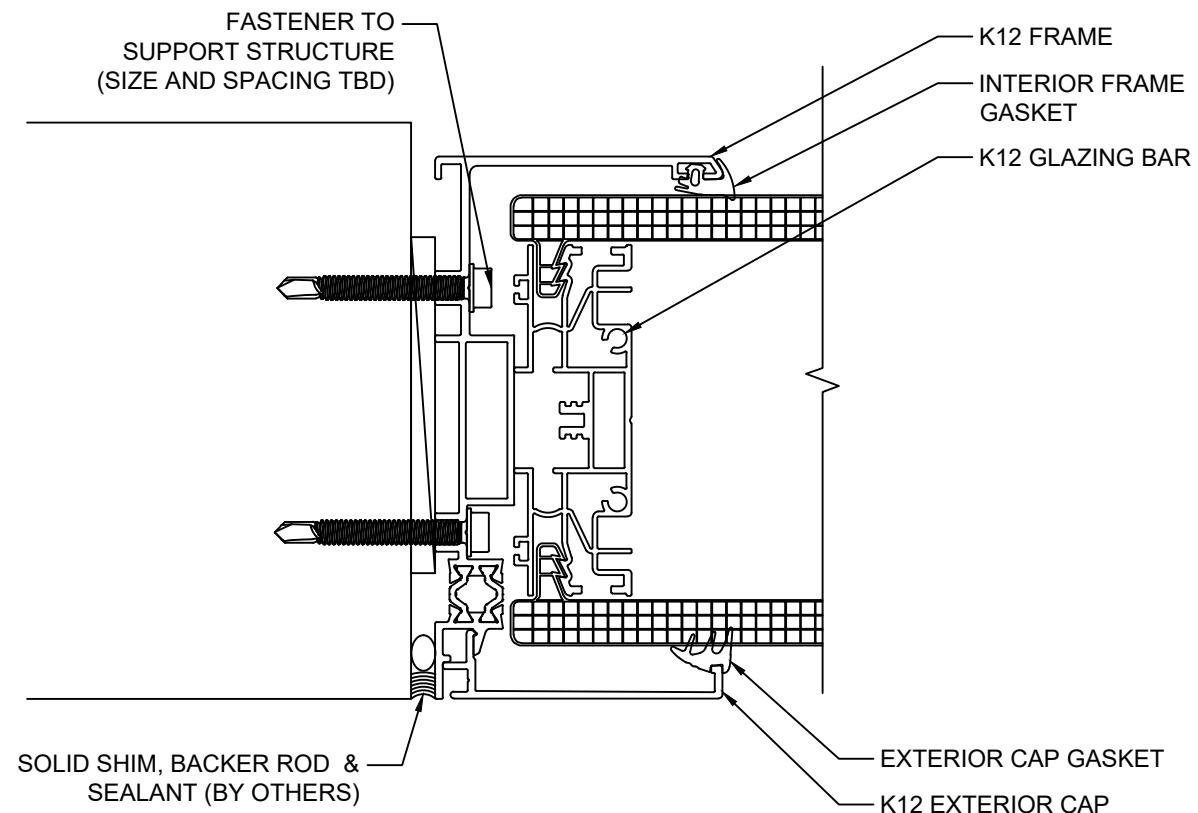
Details are for reference only and not to be used for submittal purpose as they can change without notice.

Please reach out to our Technical Services team for assistance with job specific detailing and engineering.

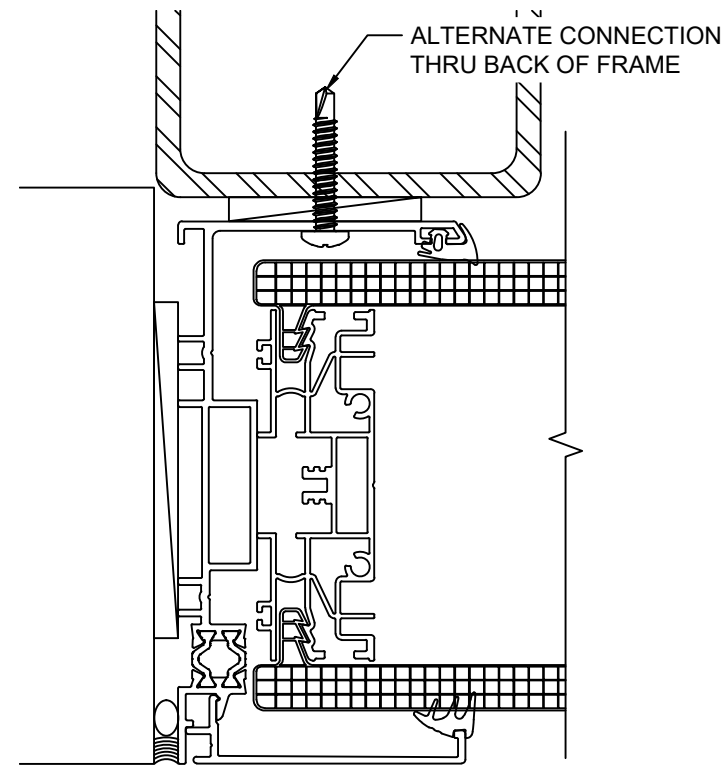
technicalservices@danpal.com

SHEET NO.:

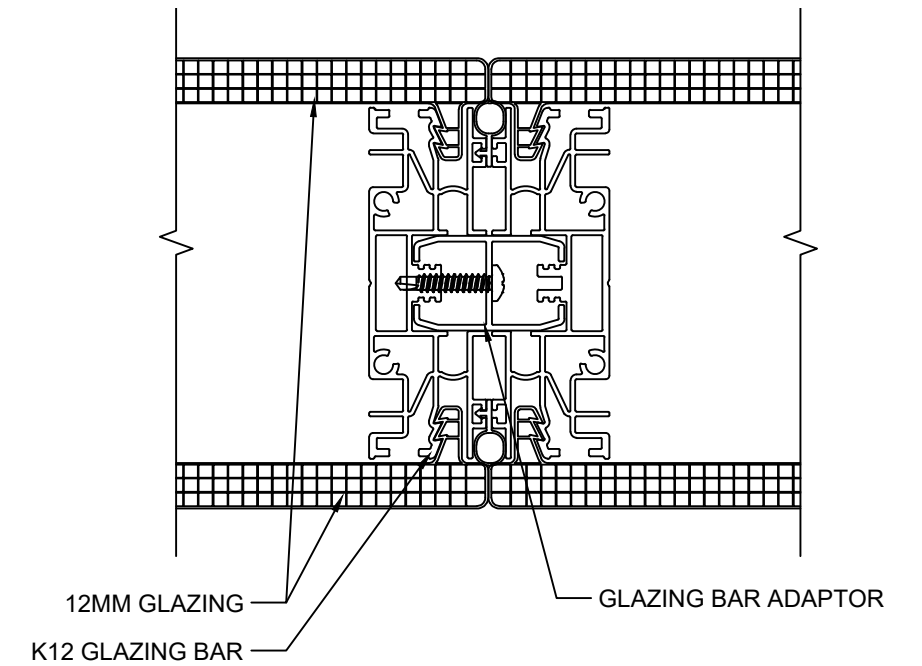
1 OF 3



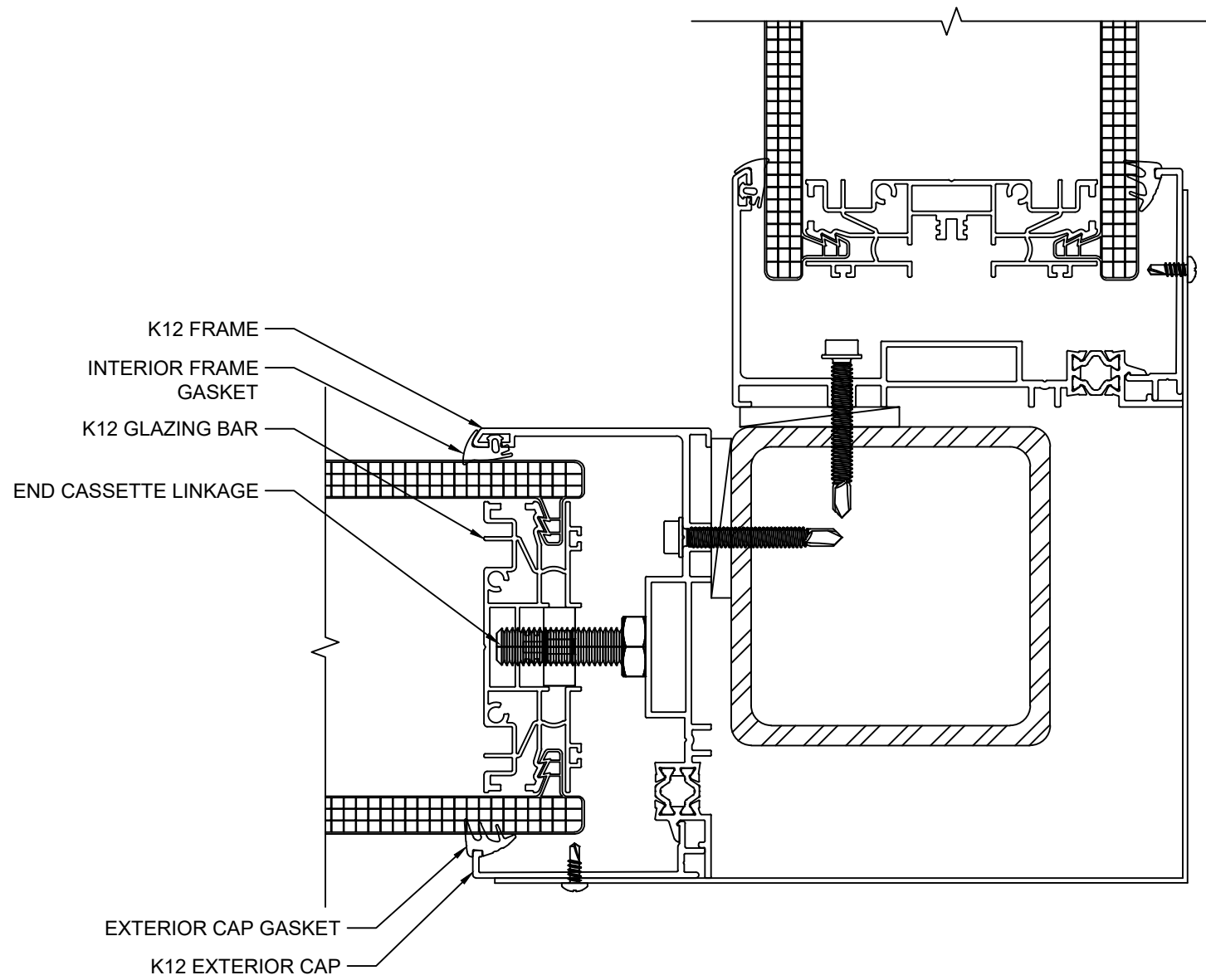
**C<sub>1</sub>** JAMB DETAIL  
SCALE: 1:2



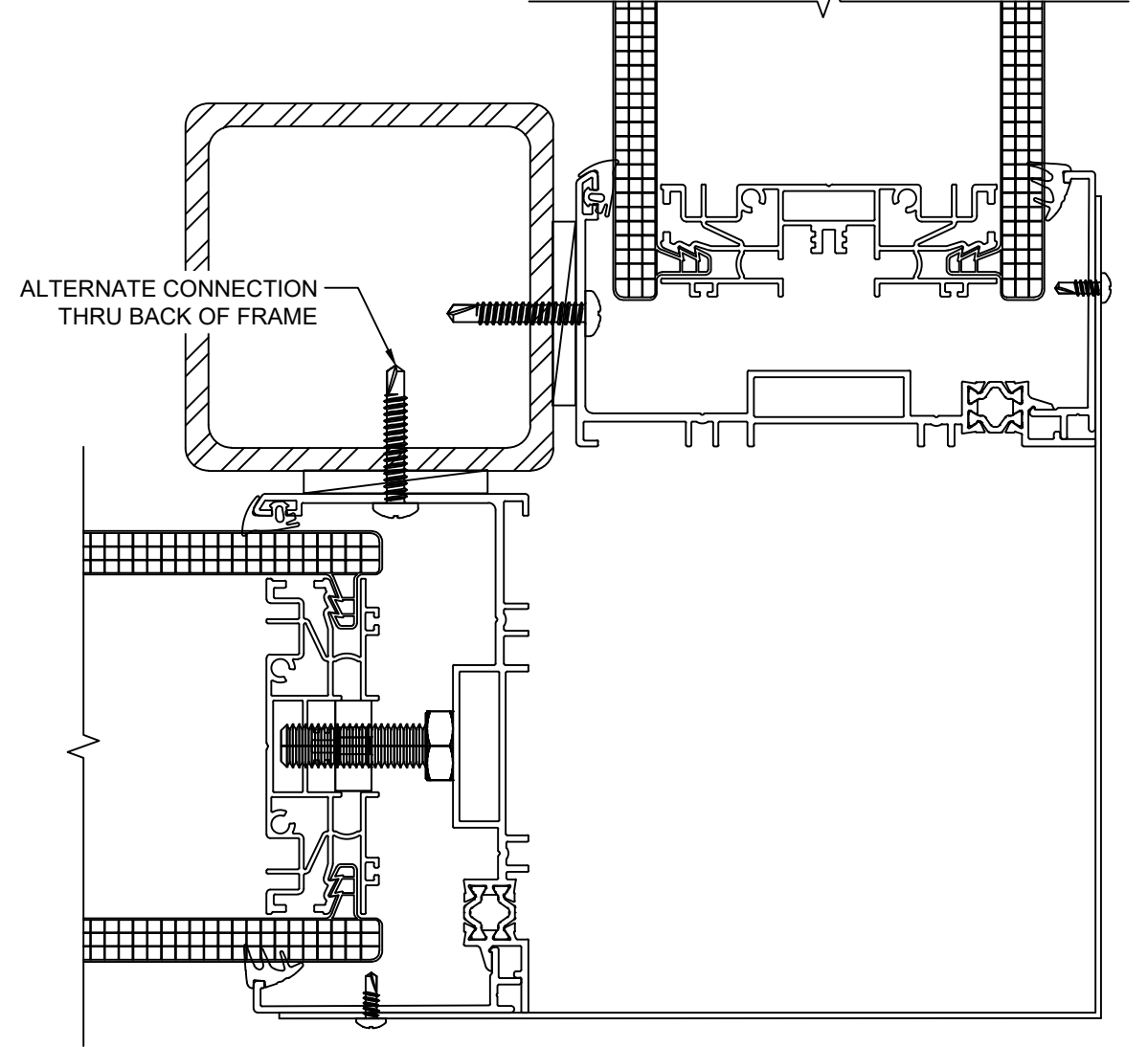
**C<sub>2</sub>** JAMB DETAIL  
SCALE: 1:2



**D** GLAZING BAR DETAIL  
SCALE: 1:2



**E<sub>1</sub>** CORNER DETAIL  
SCALE: 1:2



**E<sub>2</sub>** CORNER DETAIL  
SCALE: 1:2