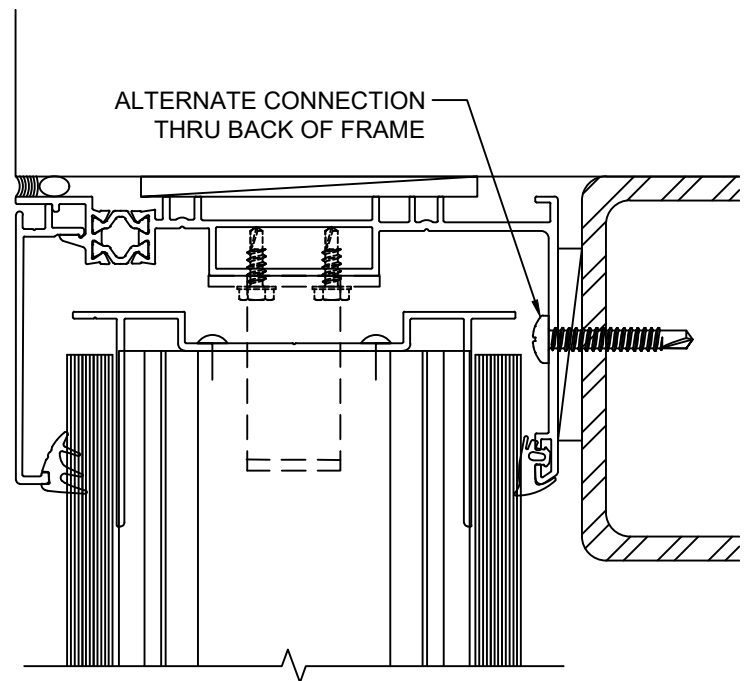
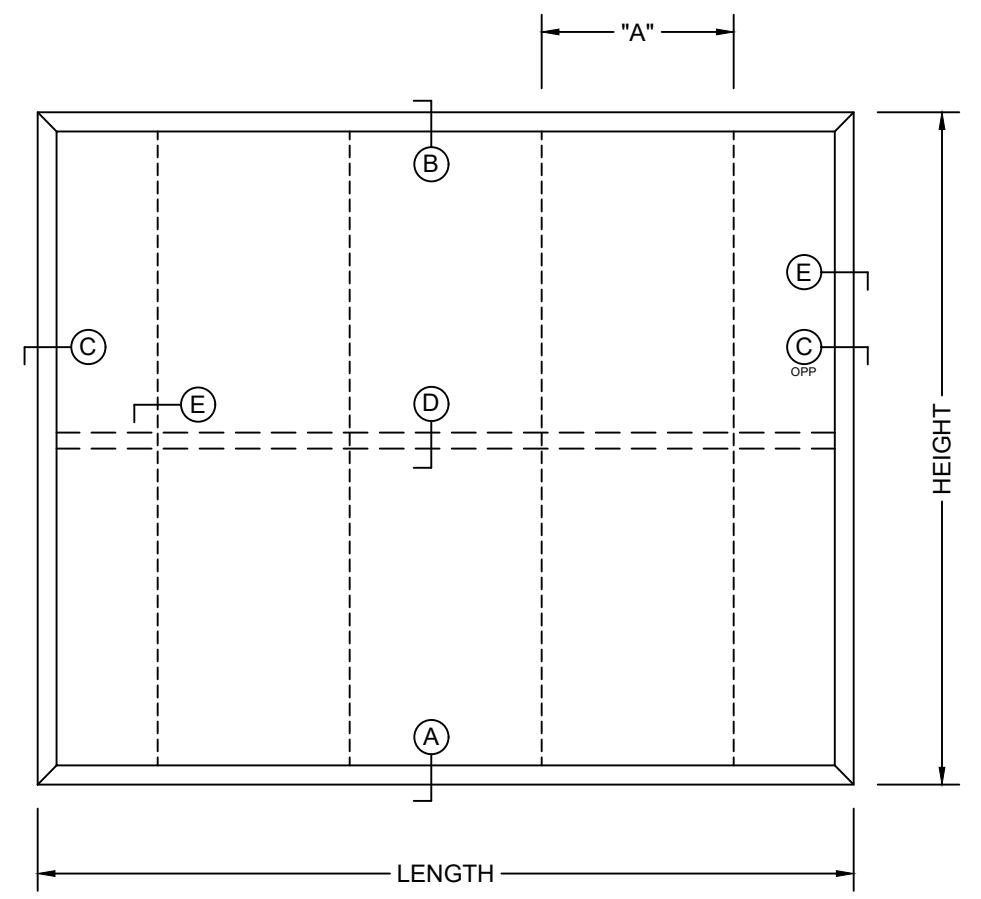


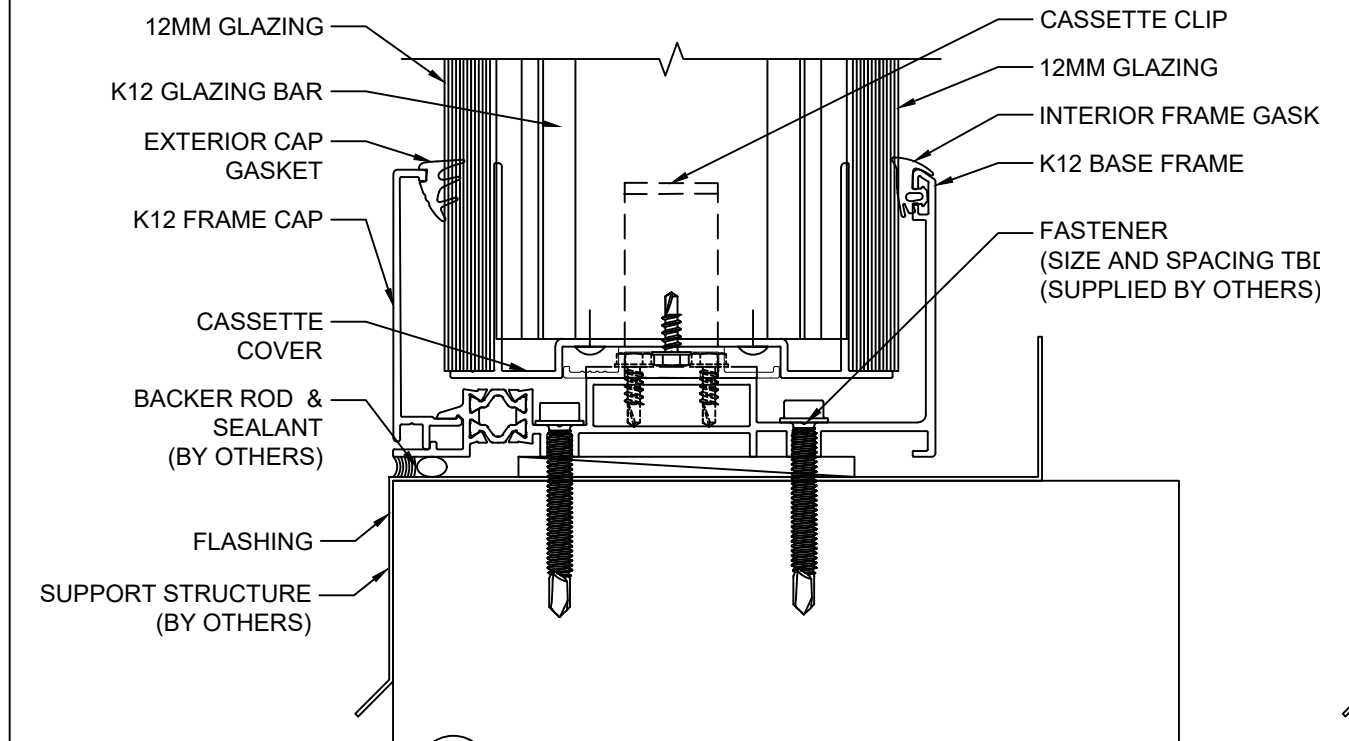
B₁ HEAD DETAIL
SCALE: 1:2



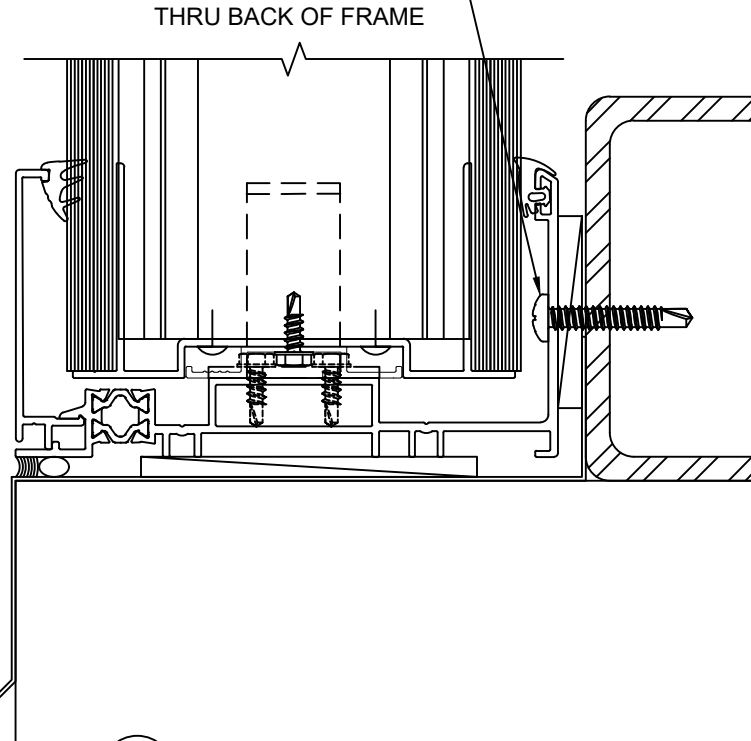
B₂ HEAD DETAIL
SCALE: 1:2



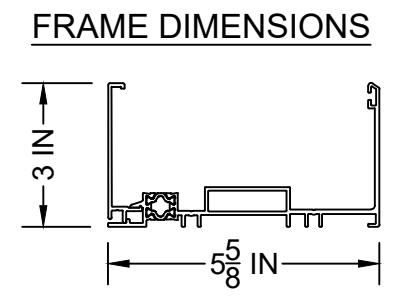
"A"	
600mm	23.62in
900mm	35.43in



A₁ SILL DETAIL
SCALE: 1:2

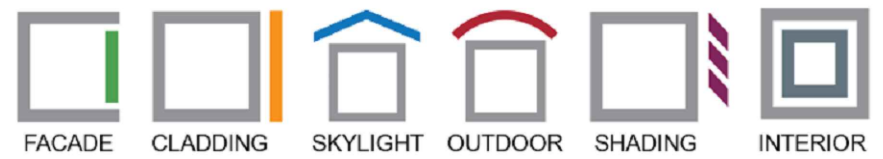


A₂ SILL DETAIL
SCALE: 1:2



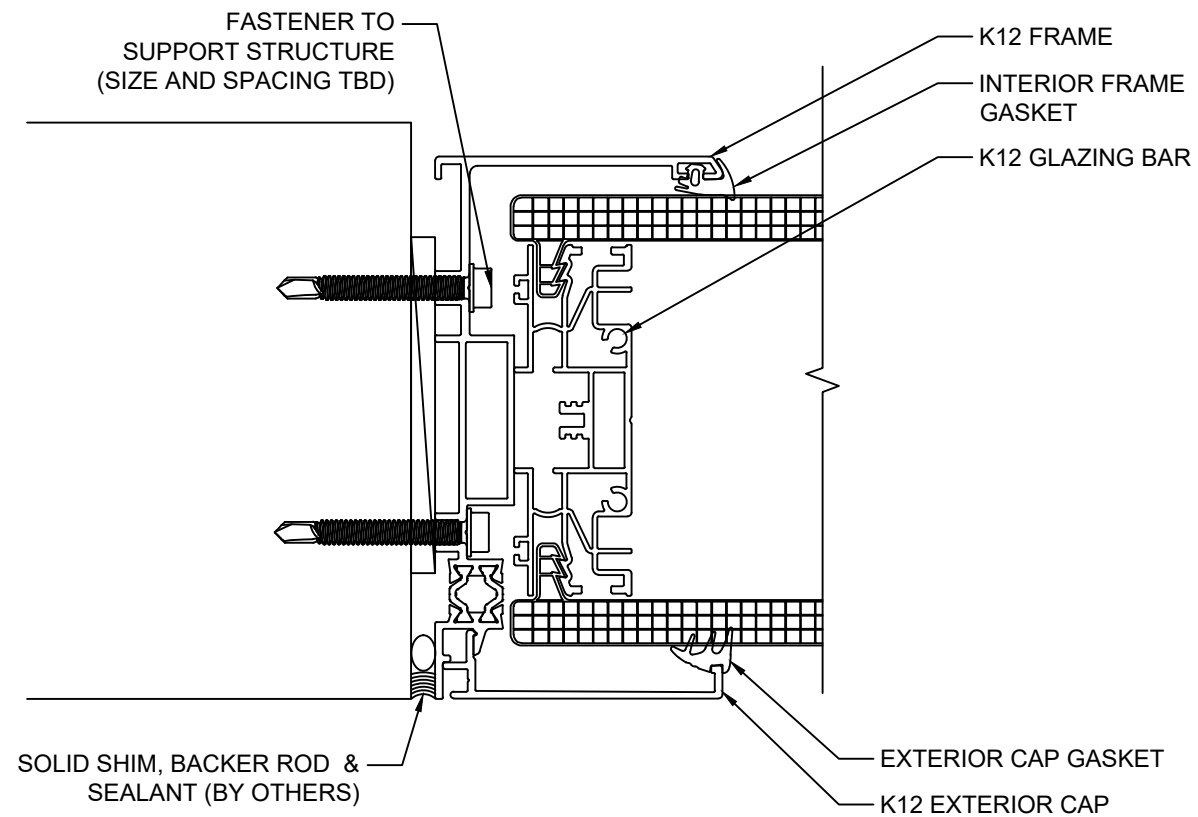
3959 Bur Wood Drive
Suite 400
Waukegan, IL 60085
312.724.8166
www.danpal.com

K12 FACADE SYSTEM
SAMPLE DETAILS
WITH MIDSPAN SUPPORT

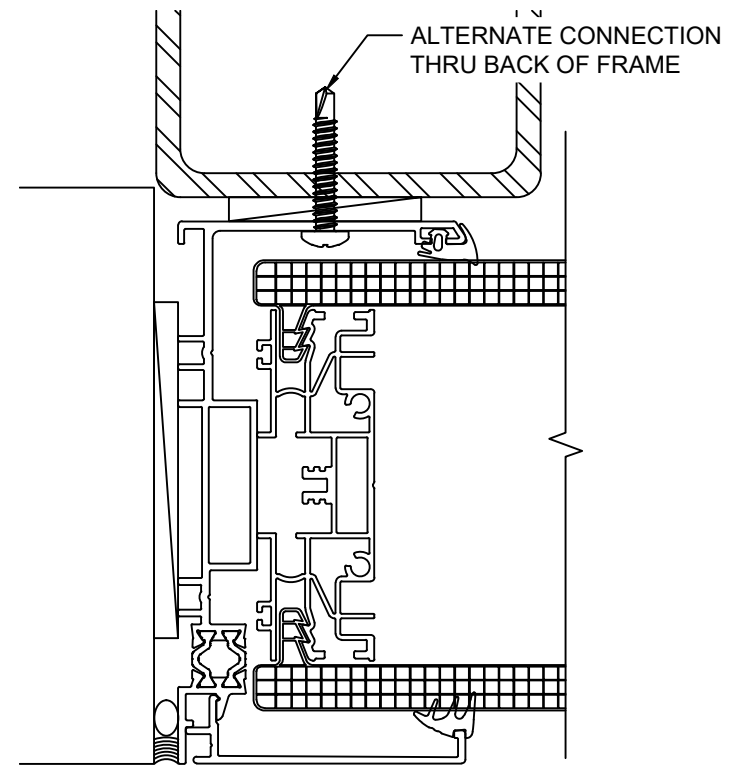


Note:
Details are for reference only and not to be used for submittal purpose as they can change without notice.
Please reach out to our Technical Services team for assistance with job specific detailing and engineering.
technicalservices@danpal.com

SHEET NO.:
1 OF 4



C₁ JAMB DETAIL
SCALE: 1:2



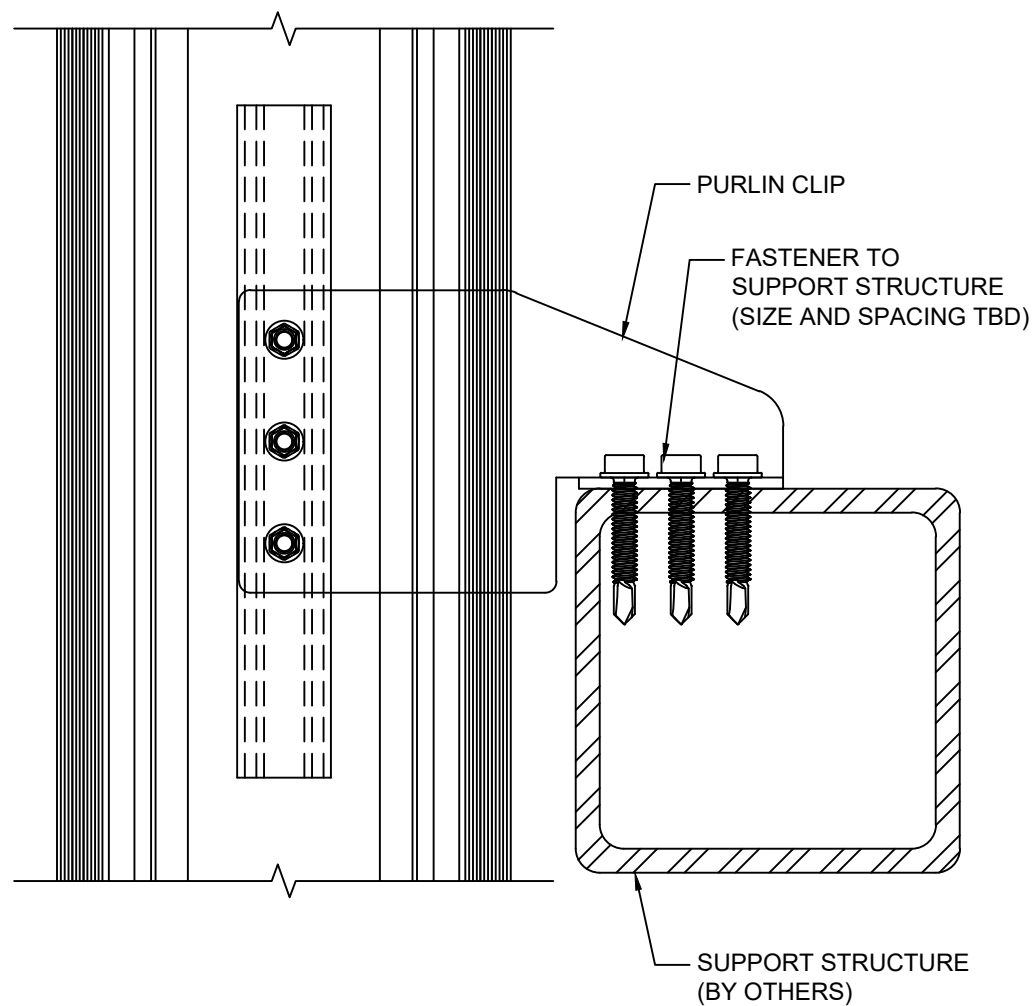
C₂ JAMB DETAIL
SCALE: 1:2

Note:

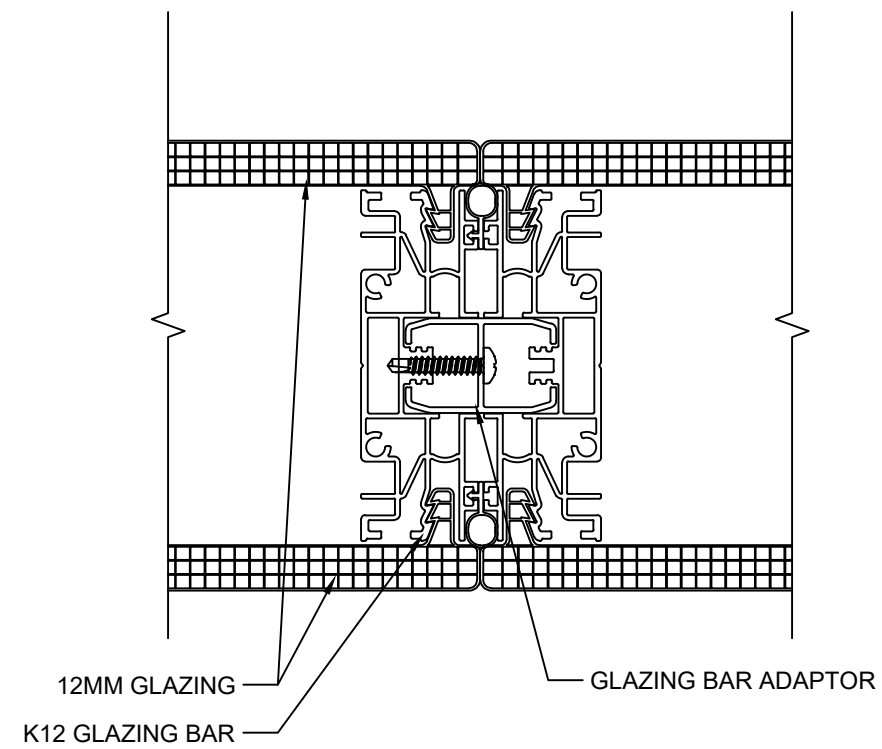
Details are for reference only and not to be used for submittal purpose as they can change without notice.

Please reach out to our Technical Services team for assistance with job specific detailing and engineering.

technicalservices@danpal.com



D MIDSPAN PURLIN DETAIL
SCALE: 1:2



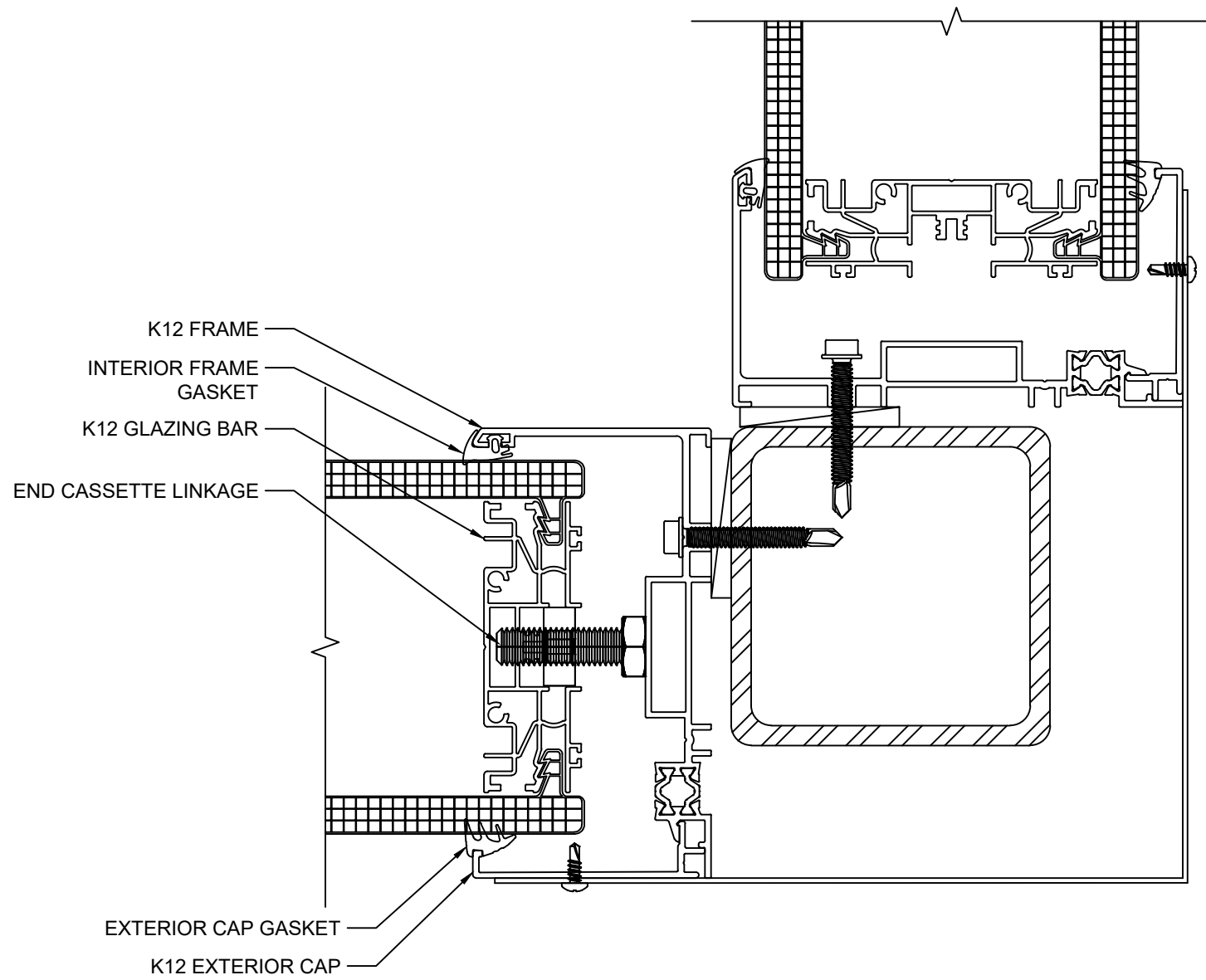
E GLAZING BAR DETAIL
SCALE: 1:2

Note:

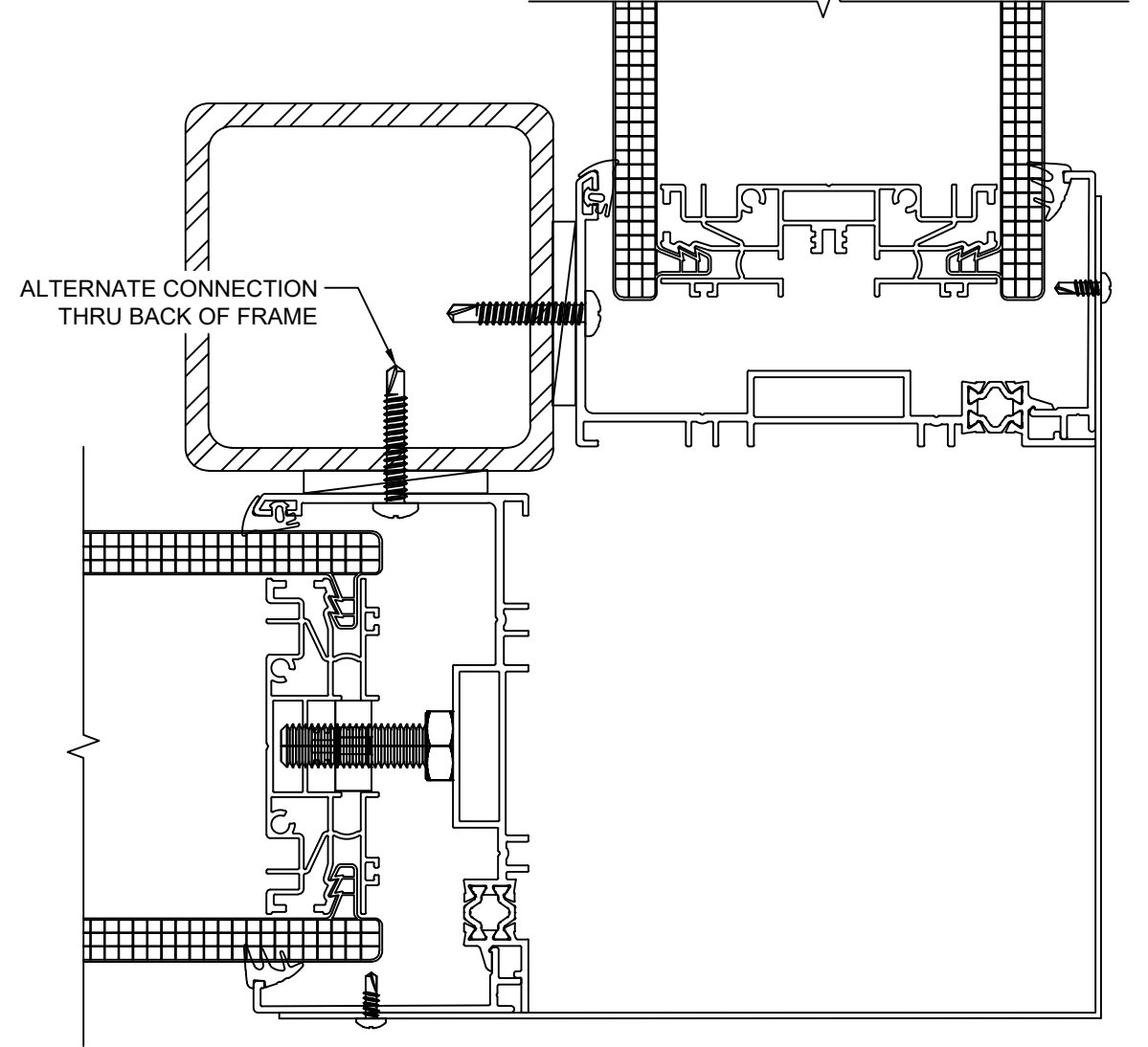
Details are for reference only and not to be used for submittal purpose as they can change without notice.

Please reach out to our Technical Services team for assistance with job specific detailing and engineering.

technicalservices@danpal.com



E₁ CORNER DETAIL
SCALE: 1:2



E₂ CORNER DETAIL
SCALE: 1:2

Note:

Details are for reference only and not to be used for submittal purpose as they can change without notice.

Please reach out to our Technical Services team for assistance with job specific detailing and engineering.

technicalservices@danpal.com