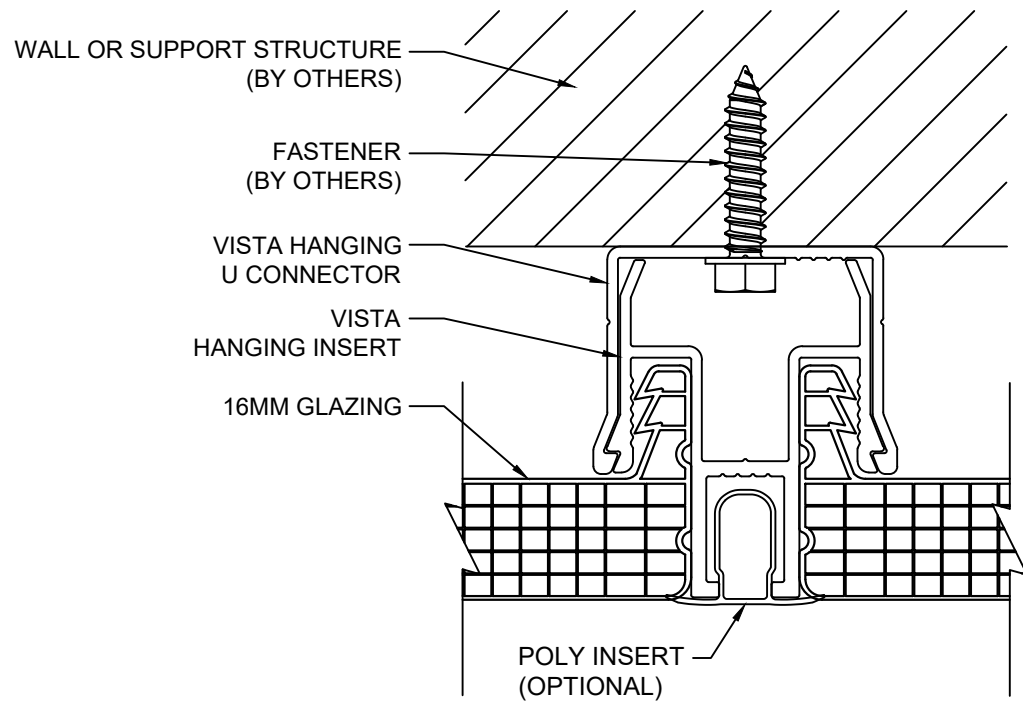
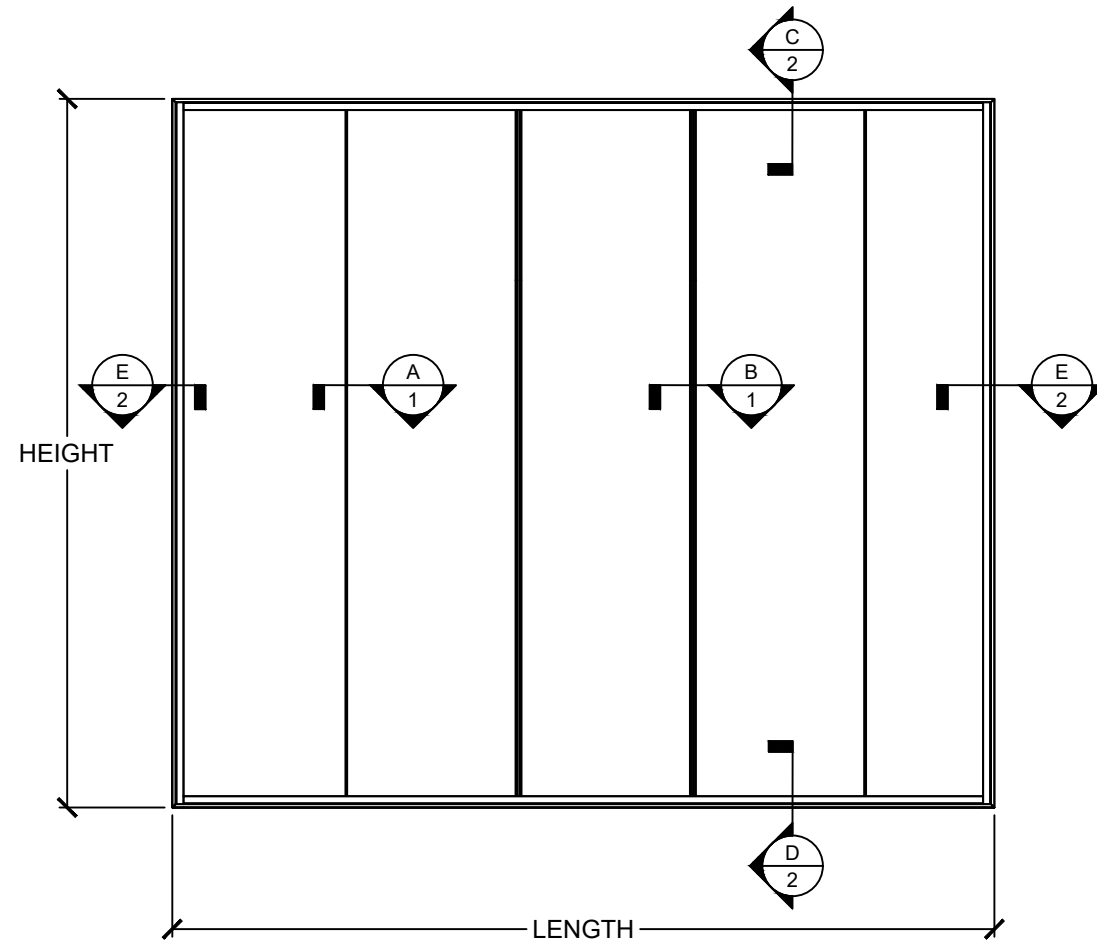


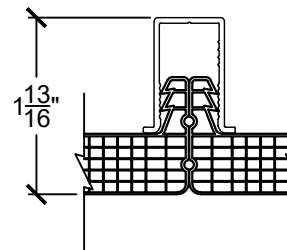
A
1 **CONNECTOR DETAIL - OPTION 1**
Scale: 1" = 1'-0"



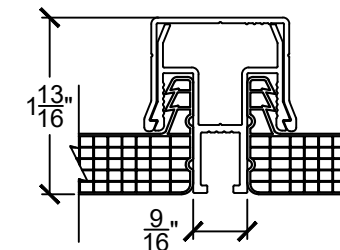
B
1 **HANGER CONNECTOR DETAIL - OPTION 2**
Scale: 1" = 1'-0"



SYSTEM DIMENSIONS



SYSTEM DIMENSIONS

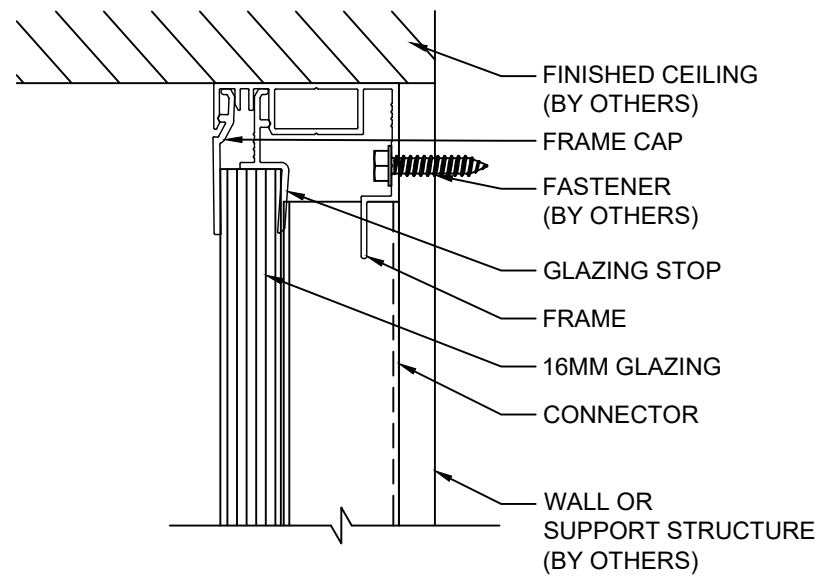


Note:

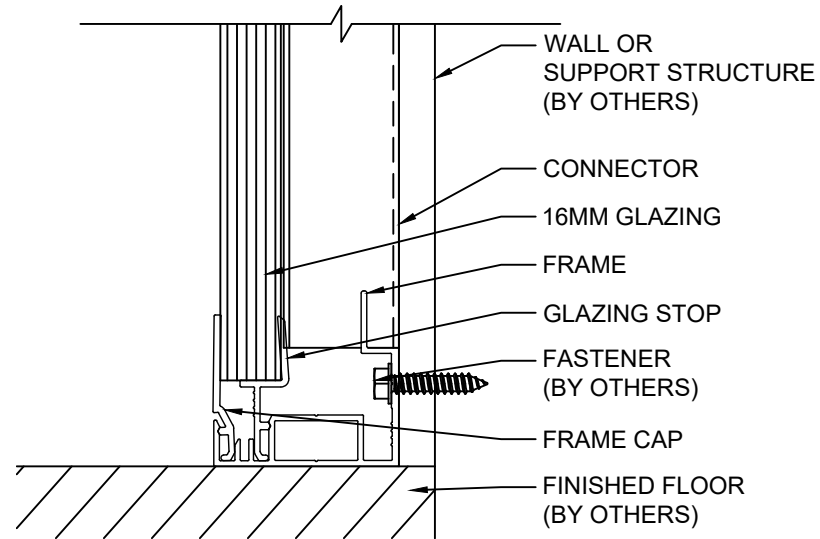
Details are for reference only and not to be used for submittal purpose as they can change without notice.

Please reach out to our Technical Services team for assistance with job specific detailing and engineering.

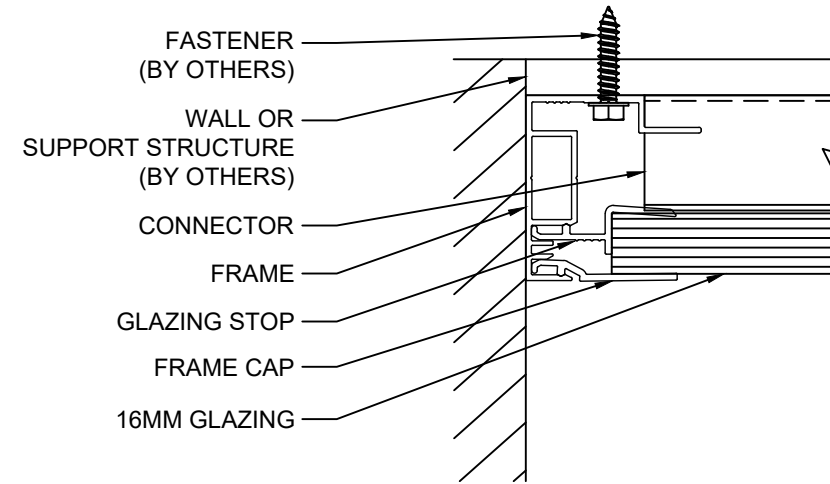
danpal-na@danpal.com



C
2 HEAD DETAIL
Scale: 6" = 1'-0"



D
2 SILL DETAIL
Scale: 6" = 1'-0"



E
2 JAMB DETAIL
Scale: 6" = 1'-0"

Note:

Details are for reference only and not to be used for submittal purpose as they can change without notice.

Please reach out to our Technical Services team for assistance with job specific detailing and engineering.

danpal-na@danpal.com