

DANPATHERM RK7 SYSTEM

Light & Insulation for Roofing



SKYLIGHTS



NORTH AMERICA

DOUBLE THE EXPERIENCE WITH DANPATHERM RK7 DOUBLE GLAZED CASSETTE SYSTEM



EXCELLENT THERMAL
INSULATION, LIGHT
TRANSMISSION AND
LOAD RESISTANCE

DANPATHERM RK7, UNIQUE,
CASSETTE SYSTEM,
REDEFINES WHAT'S POSSIBLE
IN THE WORLD OF ROOFING.

DESIGNED TO CREATE
THE IDEAL ENVIRONMENT
WITH PERFECT SOLAR AND
THERMAL COMFORT.

DOUBLE THE COMFORT

CREATE INNER CALM WITH SOFT, DIFFUSED LIGHT

Danpatherm RK7 cassette building system features Softlite, a special finish manufactured into the panels to eliminate glare and ensure even light transmission. With Softlite, interiors are evenly lit with a gentle and diffused light.



DOUBLE THE POSSIBILITIES

DANPATHERM RK7 OFFERS TOTAL VERSATILITY FOR ADAPTIVE ENVIRONMENTS

The dynamic nature of the system offers the flexibility to design daylighting systems that have a larger aperture without the traditional risk of over lighting or overheating a space. Inner and outer panels come in a variety of glazing colors, extending the creative possibilities.



DOUBLE THE EASE CLEAN AND QUICK INSTALLATION

This unique, factory-assembled building system is quick and easy to install, reducing labor costs and installation time. External panels can be removed if necessary without affecting the building envelope. Pre-fabricated off-site, this cassette panel system prevents moisture and dirt penetrating between the panels.

SYSTEM BENEFITS

- Exceptional thermal insulation
- Factory pre-assembled cassette
- Quick and easy installation
- Smooth appearance
- Enables long spans - clean look
- Variable levels of light transmission
- Unparalleled wind and snow load resistance
- Decreased rain noise
- Complete waterproof protection



DOUBLE THE PEACE OF MIND UNPARALLELED WIND AND LOAD RESISTANCE

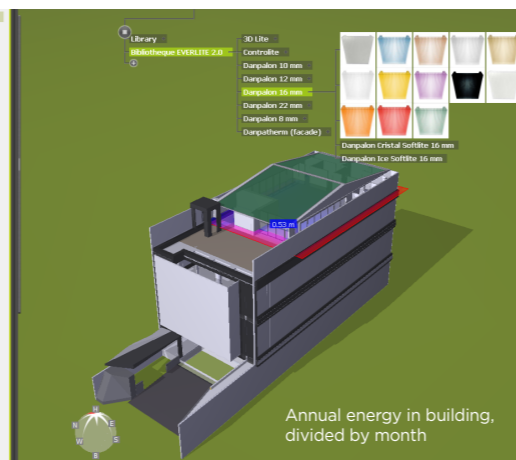
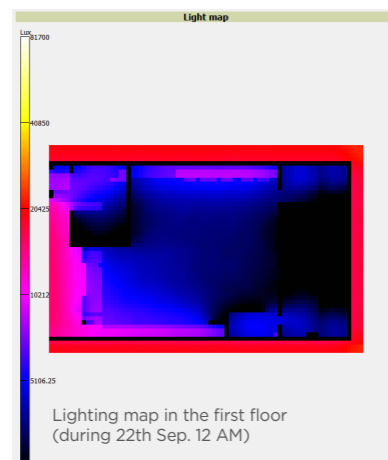
Built from cassettes and connected through Danpal's well-known standing seam connection, Danpatherm RK7 features hidden glazing rafters which provide high resistance to wind and snow loads.

Danpatherm RK7 can span 10 feet unsupported, significantly reducing requirements for secondary steel framing.

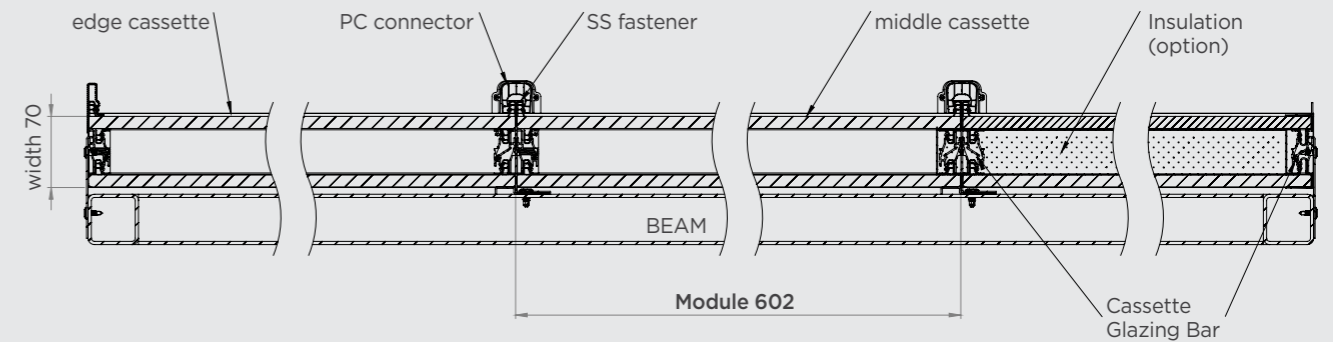
INTERNAL SOLAR AND THERMAL BEHAVIOUR SIMULATION

Danpal® offers a unique tool which can simulate visual and thermal comfort levels for a proposed building design. Using climatic data averages for the location of a given project, Danpal's Smart Energy Simulator can accurately predict internal daylight levels and building energy consumption. This allows the energy cost saving and environmental benefits of using Danpatherm RK7 to be quantified early in the design process.

- Dynamic internal daylight map simulation
- Dynamic internal energy consumption simulation



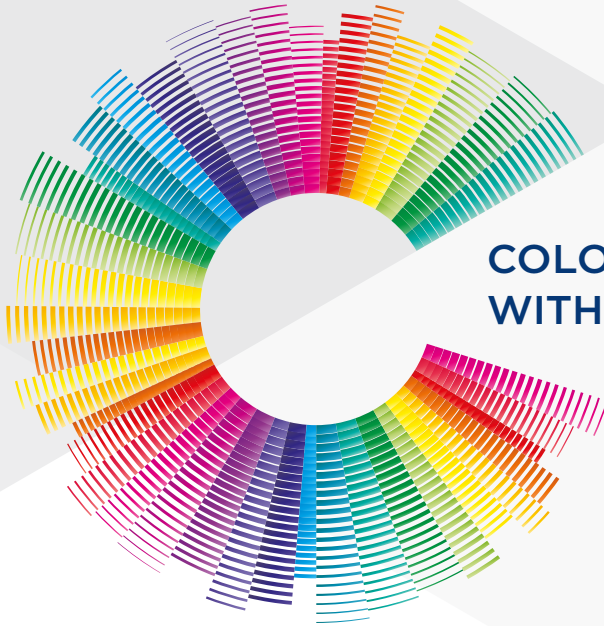
STRUCTURE



PROPERTIES

		WITHOUT INSULATION	WITH INSULATION
Glazing structure		(2) 12mm multicell panels, forming an insulated cassette	
Cassette configuration		12mm air space 12mm	12mm Insulation 12mm
Cassette thickness		70mm (2.75")	
Cassette length		*Standard up to 11.85 meters (38'-9")	
Module for installation		600mm / 23.625"	
U value (W/m²K)	EN ISO 10077-2 EN 16153	1.18	0.79
U-Value (BTU/ft²F°)	NFRC 100 NFRC 102	0.25	0.20
Visible Light Transmission (VLT)	NFRC 202, ASTM E972 ASTM E1084	up to 35%**	20%**
Finish options - Glazing		Standard, Softlite, High Performance, IR	
Reaction to fire	ASTM E108/UL790 EN 13501-5	Class A & C Roof Assembly B roof (t1)	
Flame spread	ASTM E84	Class A	
Smoke density	ASTM D2843	CC1	
Rate of burn	ASTM D635		
Ignition temperature	ASTM D1929		
Impact and shock resistance	Report BEB1.K.4069-2	D1-1j, M3- 3j, M50-130j - Pass 0.3	
Impact and cycling	ASTM E1886 ASTM E1996	Lg missile impact - Level D, Wind Zone 3, Cycling at 40psf	
Concentrated load test	OSHA / CalOSHA	800lbs in 1sq.ft. area	
Air permeability	ASTM E283 EN 12152	Pass - ±6.27 psf 600 Pa	
Water infiltration	ASTM E331 EN 12155	Pass - ±12.11 psf 450 Pa	
Warranty		10 years - Standard	
ICC ESR		ESR-5022	

* Danpal is engaged in constant innovation. We reserve the right to modify our products, specifications and test data. Contact Danpal Technical Support for the most up to date information.



COLOR YOUR ATMOSPHERE WITH THE DANPAL® PALETTE

ABOUT THE COMPANY

Innovative light architecture systems for building envelopes

Danpal® are creators of exceptional light-transmitting architectural systems for building envelopes, providing optimal solar and thermal comfort.

For 50 years, our innovative systems have helped architects to transform light (both natural and artificial) into a powerful and versatile tool, for architectural creations that are internally and externally radiant.

An industry visionary, Danpal® are originators of the Danpalon® translucent panel standing seam system - a light architecture solution used around the world in commercial, education, transport, health, sports and high-tech projects.

Today, the company offers complete systems - providing total solutions for the building envelope. Danpal® designs, manufactures and distributes an unmatched range of daylighting systems for all types of building requirements - from facades, cladding, roofs, skylights, shading, to interior and outdoor applications.

Danpal® systems are built around innovative technologies, deep architectural know-how and the ever evolving needs of our clients. Operating in five continents, Danpal® inspires architectural creativity with its rainbow of light architecture solutions.

Danpatherm RK7 is an integral part of Danpal's range of systems - giving you a complete solution



FAÇADE



CLADDING



SKYLIGHT



OUTDOOR



SHADING



INTERIOR

www.danpal.com

Danpal North America | 3959 Bur Wood Drive, Suite 400 Waukegan IL 60085 | 312-724-8166

