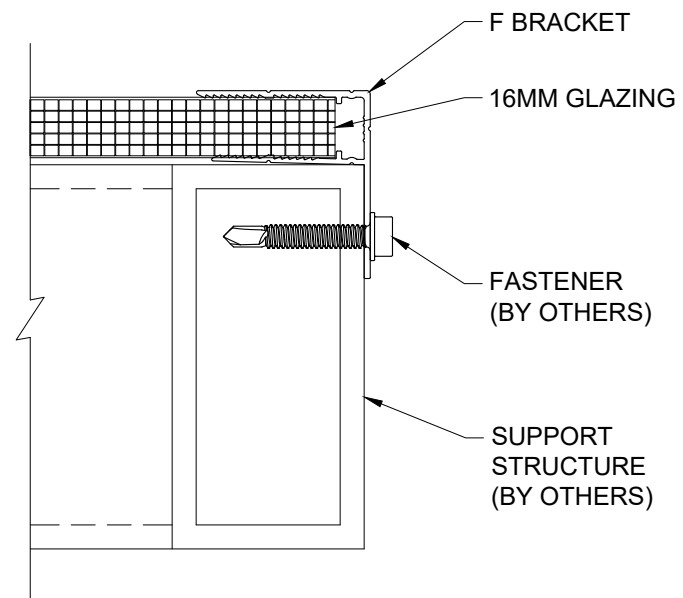
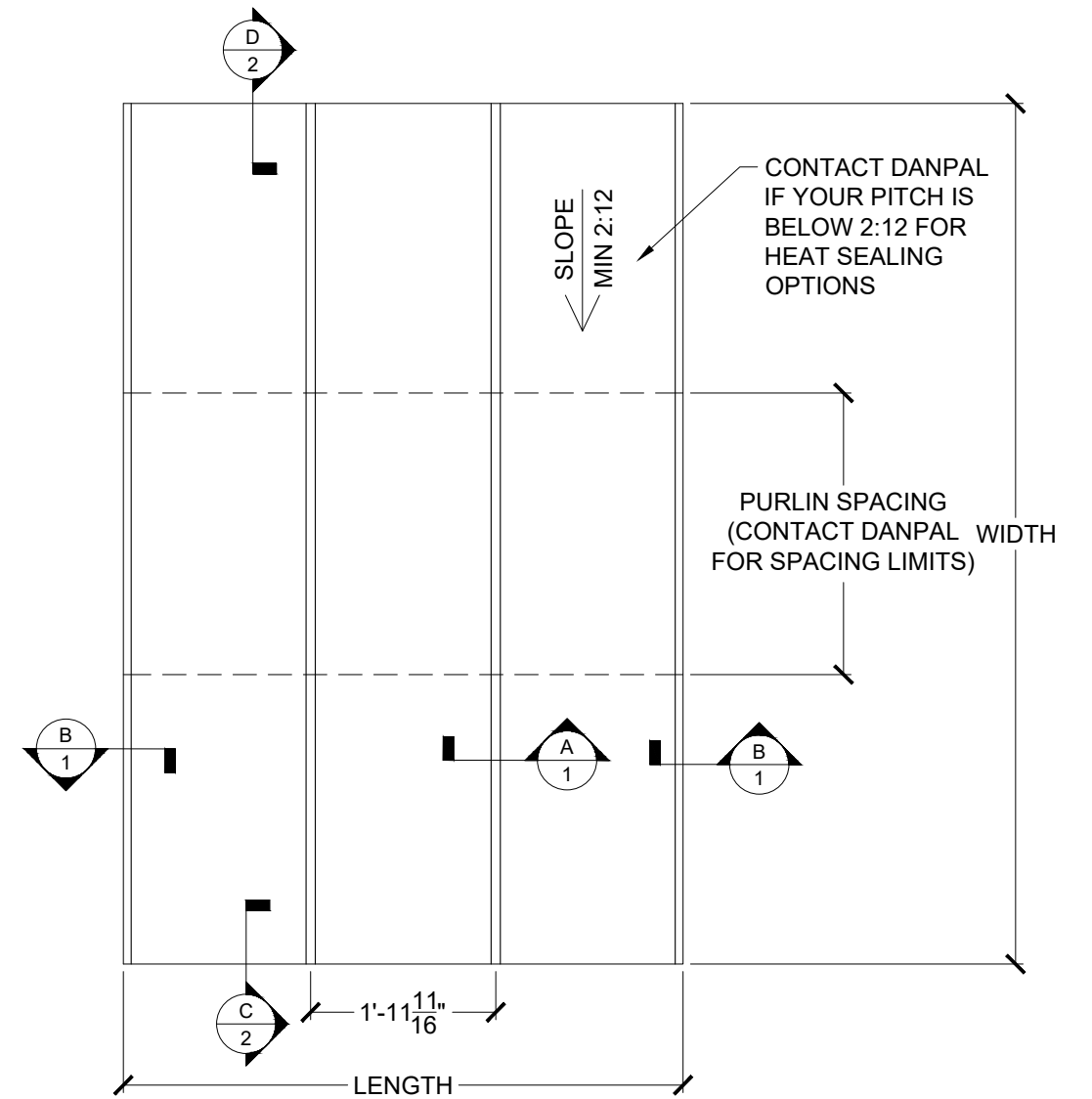


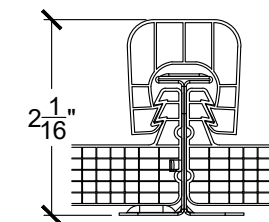
A
1
CONNECTOR DETAIL
Scale: 6" = 1'-0"



B
1
JAMB DETAIL
Scale: 6" = 1'-0"

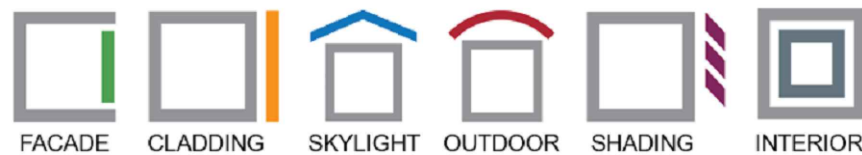


SYSTEM DIMENSIONS



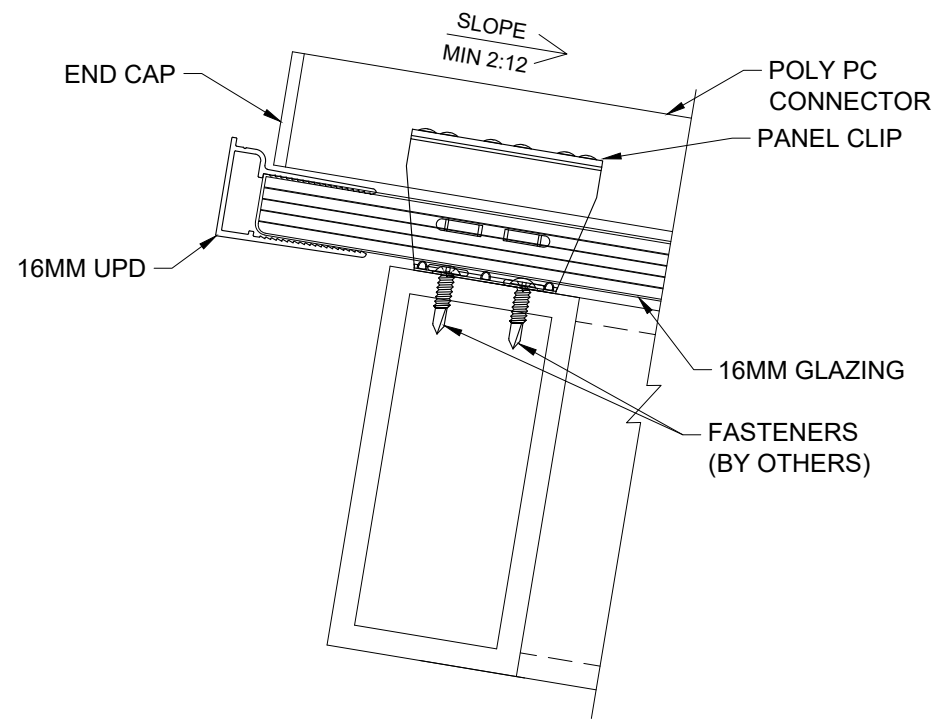
3959 Bur Wood Drive
Suite 400
Waukegan, IL 60085
312.724.8166
www.danpal.com

DANPALON TRADITIONAL SYSTEM
SAMPLE DETAILS

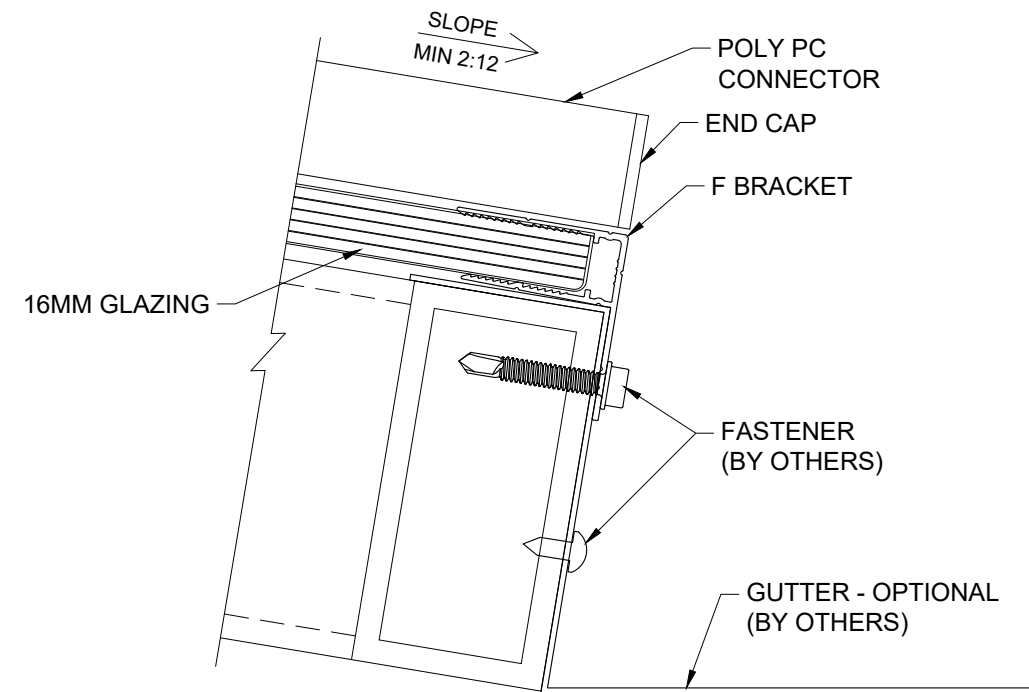


Note:
Details are for reference only and not to be used for submittal purpose as they can change without notice.
Please reach out to our Technical Services team for assistance with job specific detailing and engineering.
danpal-na@danpal.com

SHEET NO.:
1 OF 2



D
2 HEAD DETAIL
Scale: 6" = 1'-0"



C
2 SILL DETAIL
Scale: 6" = 1'-0"