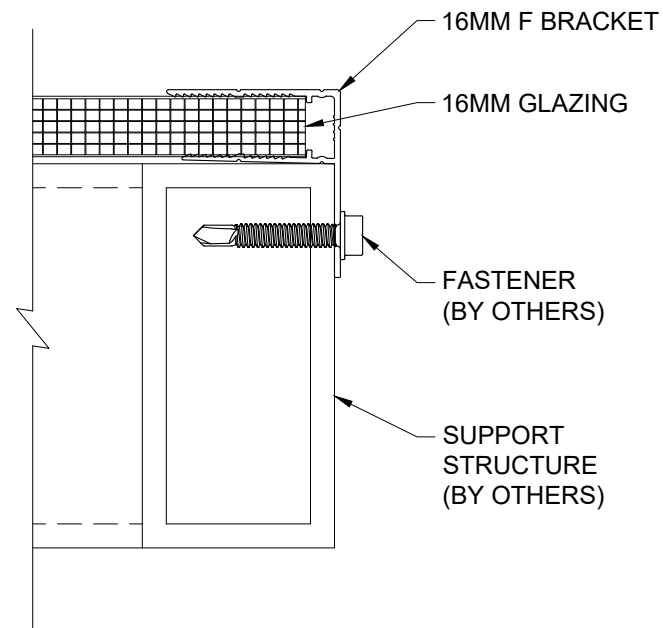
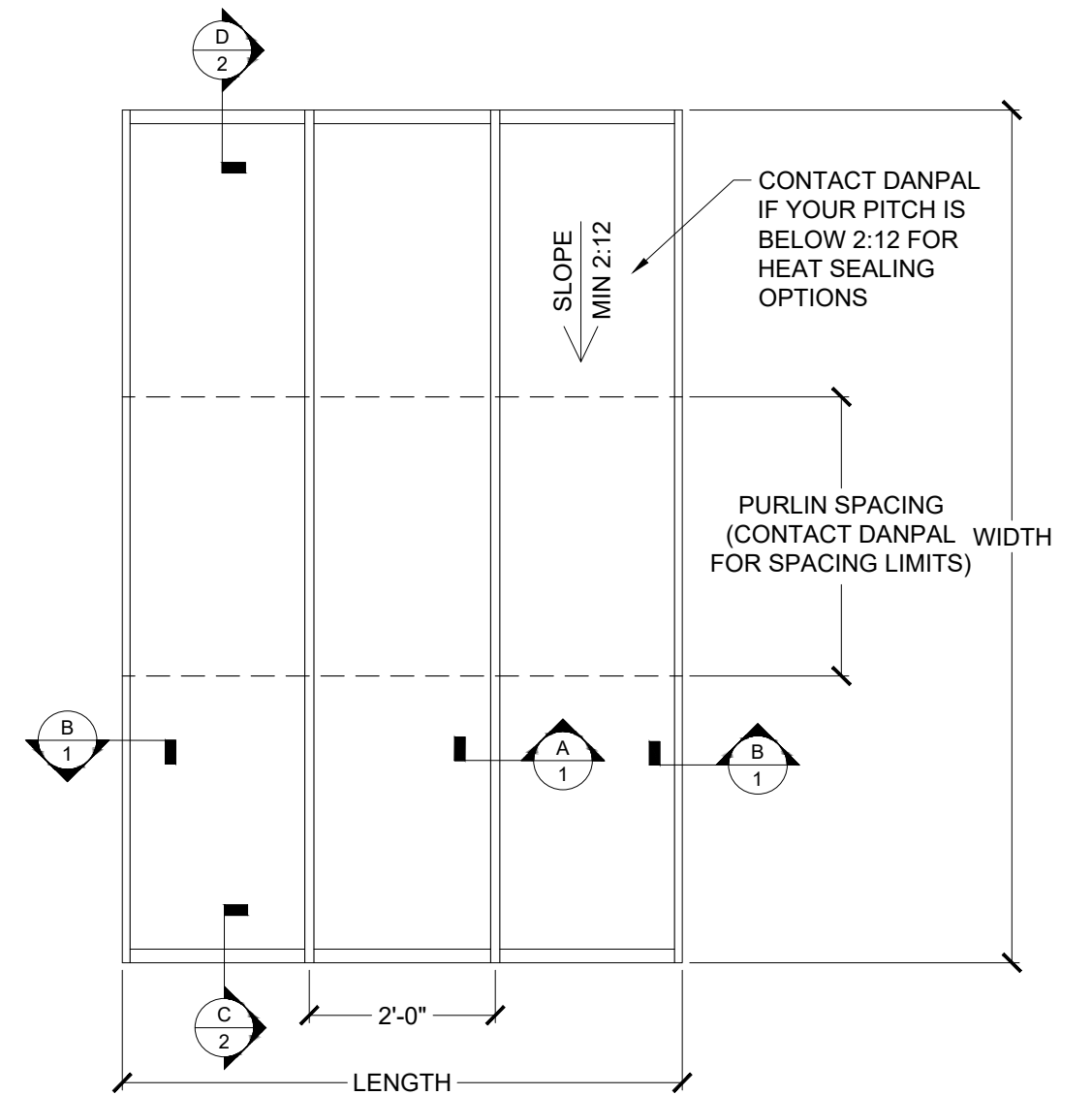


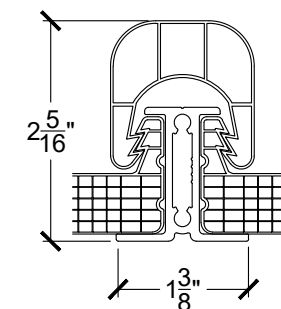
A
1
CONNECTOR DETAIL
Scale: 6" = 1'-0"

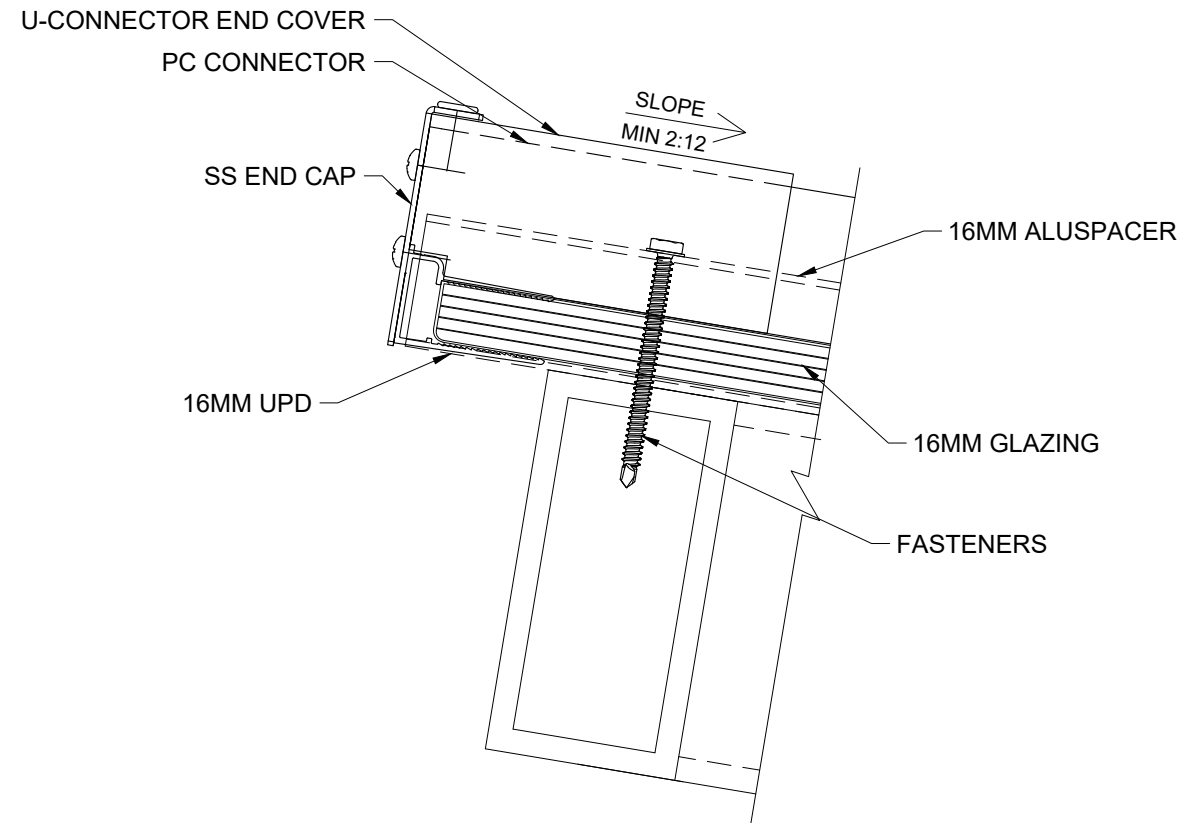


B
1
JAMB DETAIL
Scale: 6" = 1'-0"

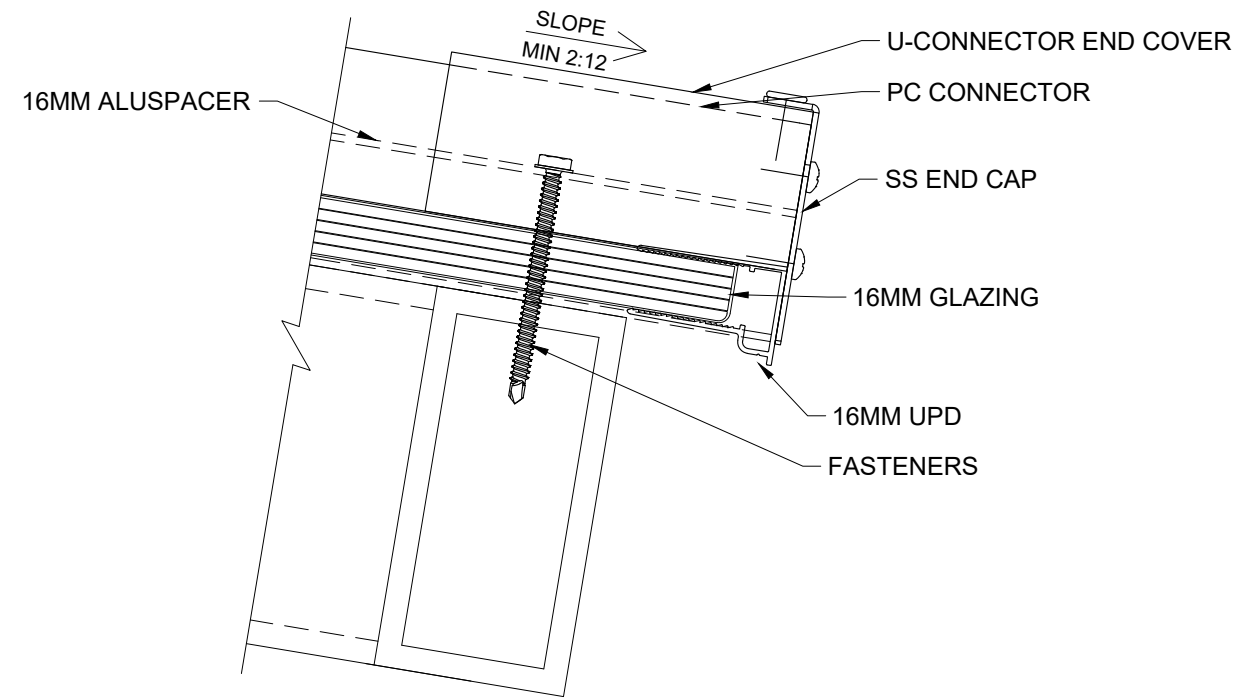


SYSTEM DIMENSIONS





D
2 HEAD DETAIL
Scale: 6" = 1'-0"



C
2 SILL DETAIL
Scale: 6" = 1'-0"