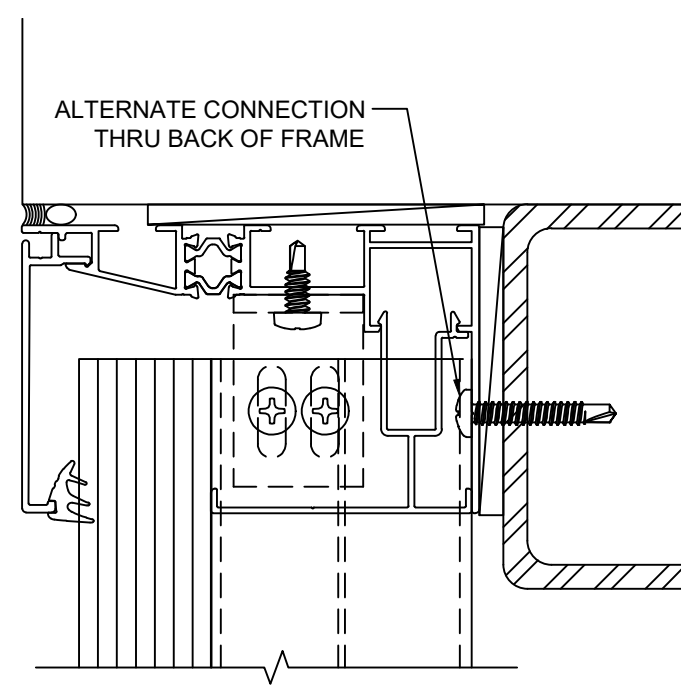
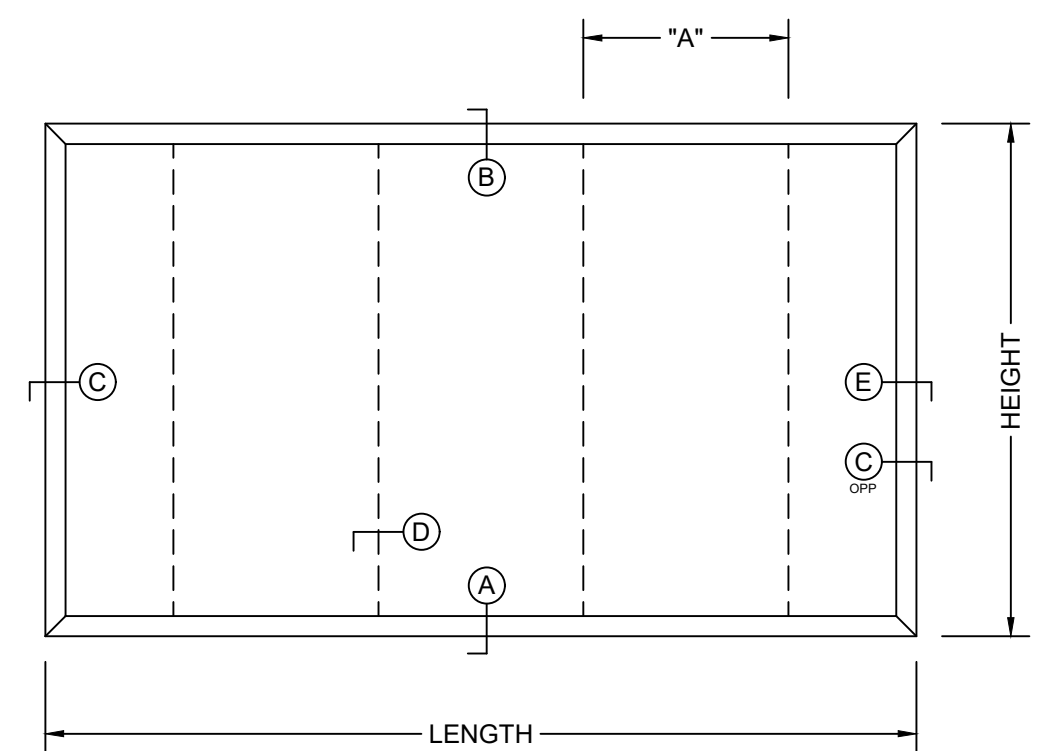


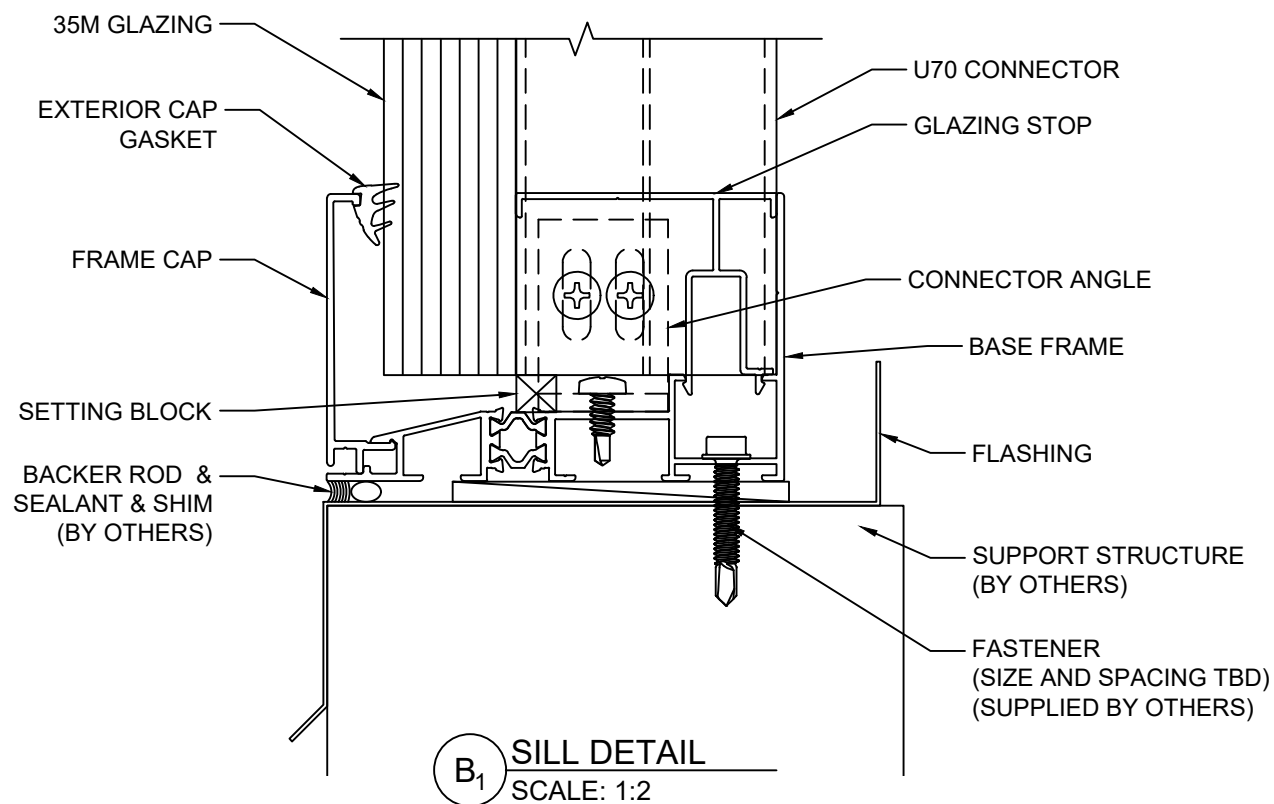
A₁ HEAD DETAIL
SCALE: 1:2



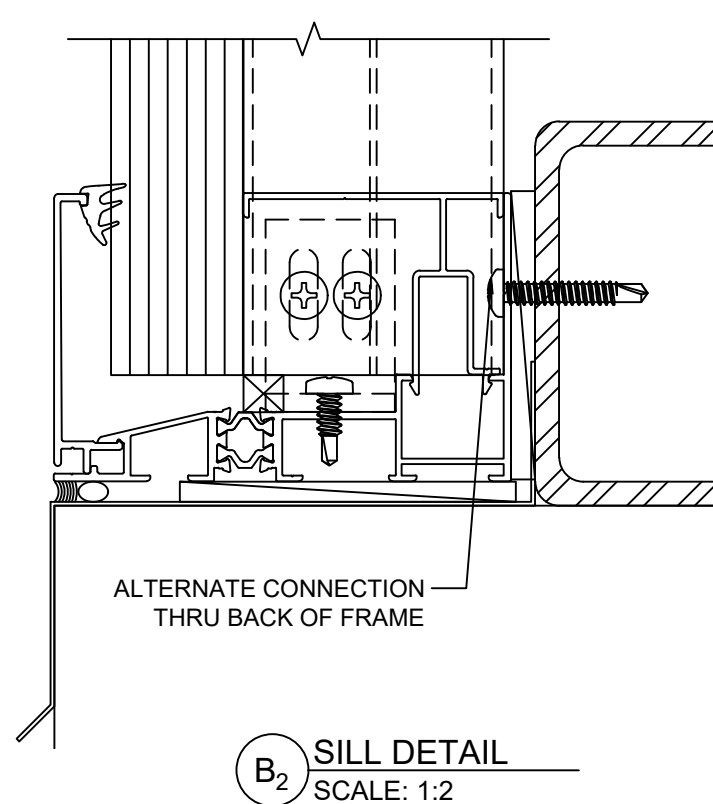
A₂ HEAD DETAIL
SCALE: 1:2



"A"	
900mm	35.43in

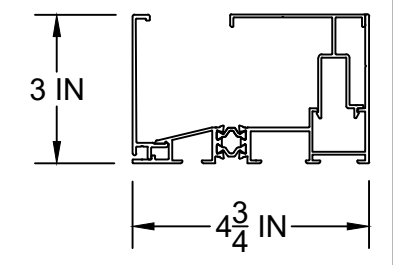


B₁ SILL DETAIL
SCALE: 1:2



B₂ SILL DETAIL
SCALE: 1:2

FRAME DIMENSIONS

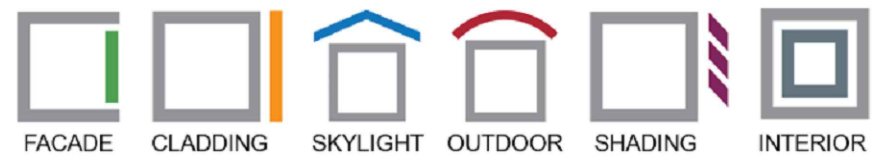


3959 Bur Wood Drive
Suite 400
Waukegan, IL 60085

312.724.8166

www.danpal.com

AIRPT FACADE SYSTEM
SAMPLE DETAILS, 35MM

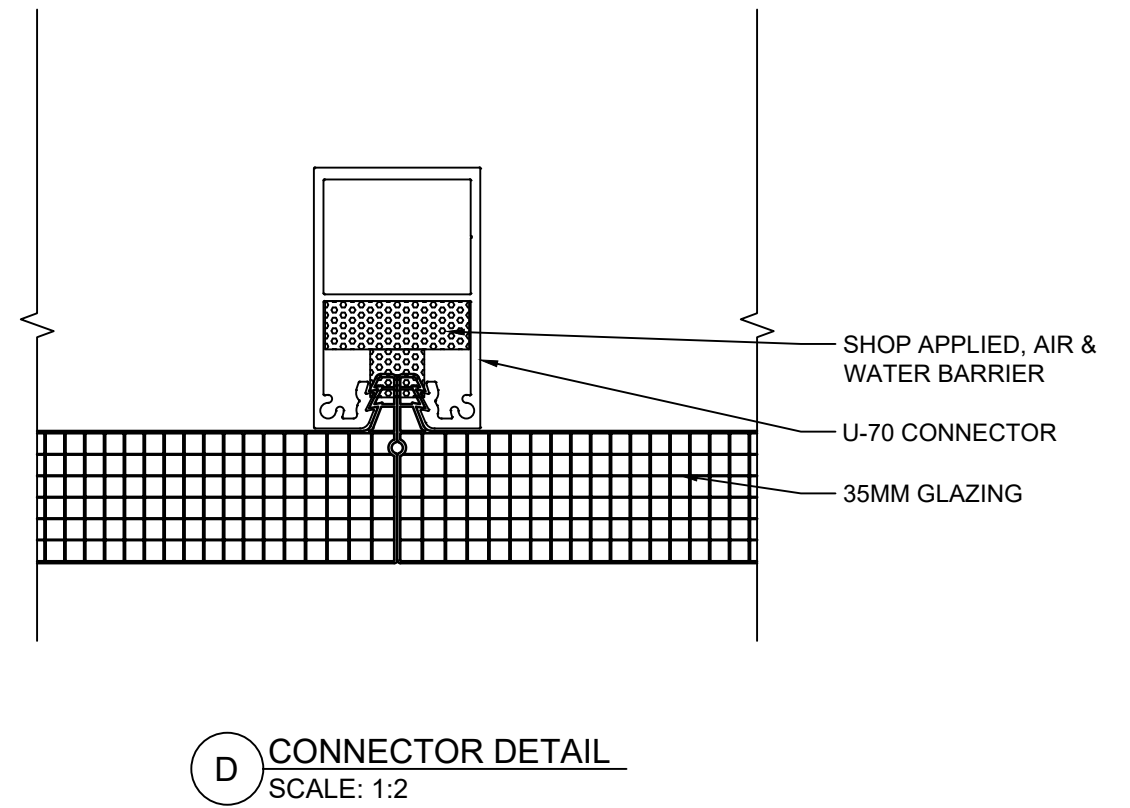
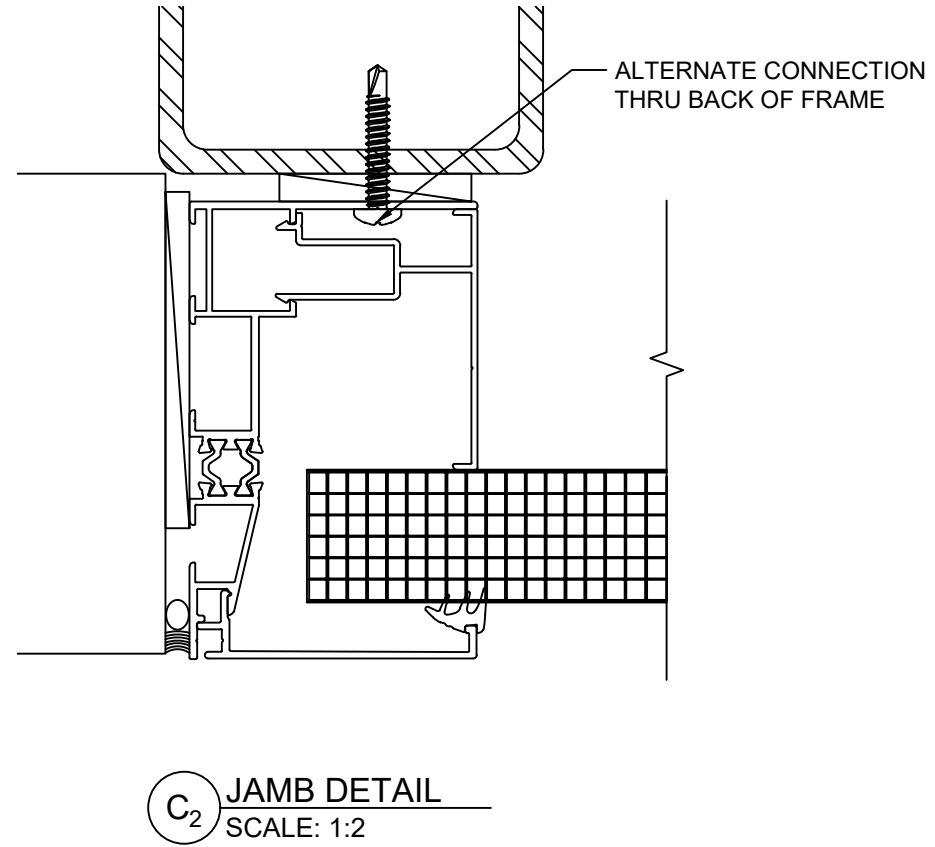
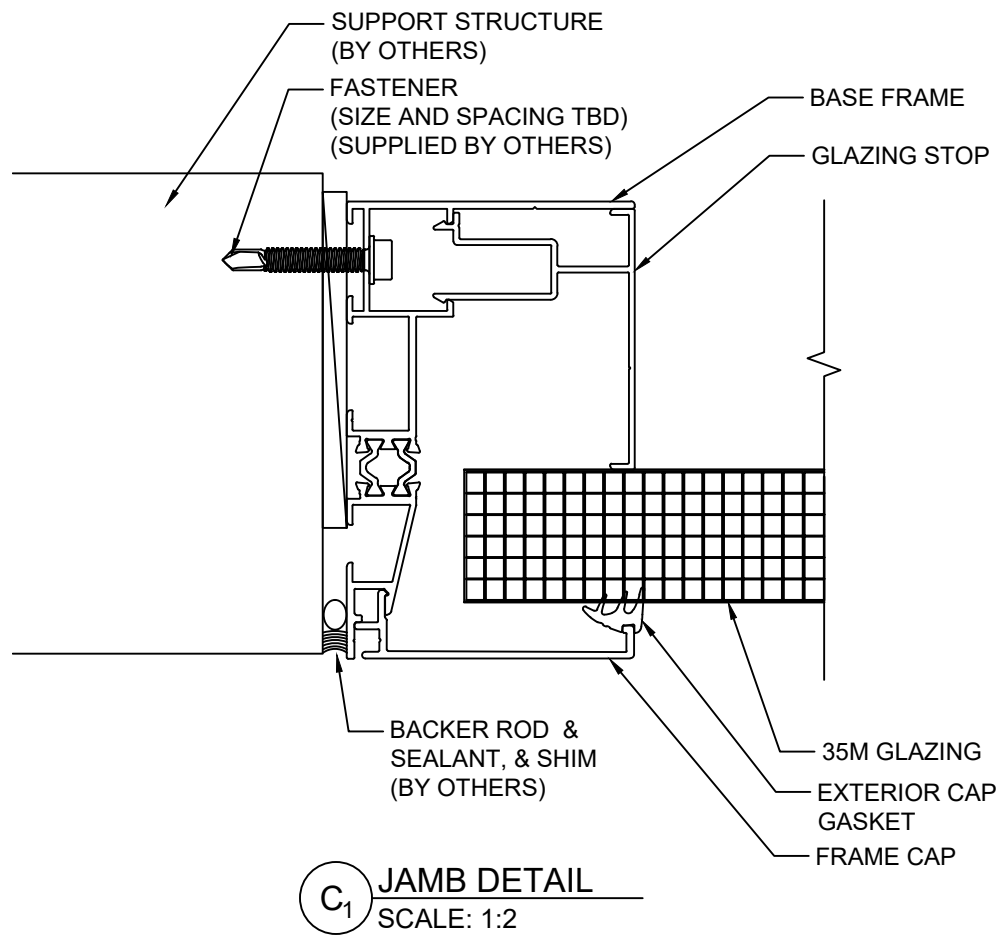


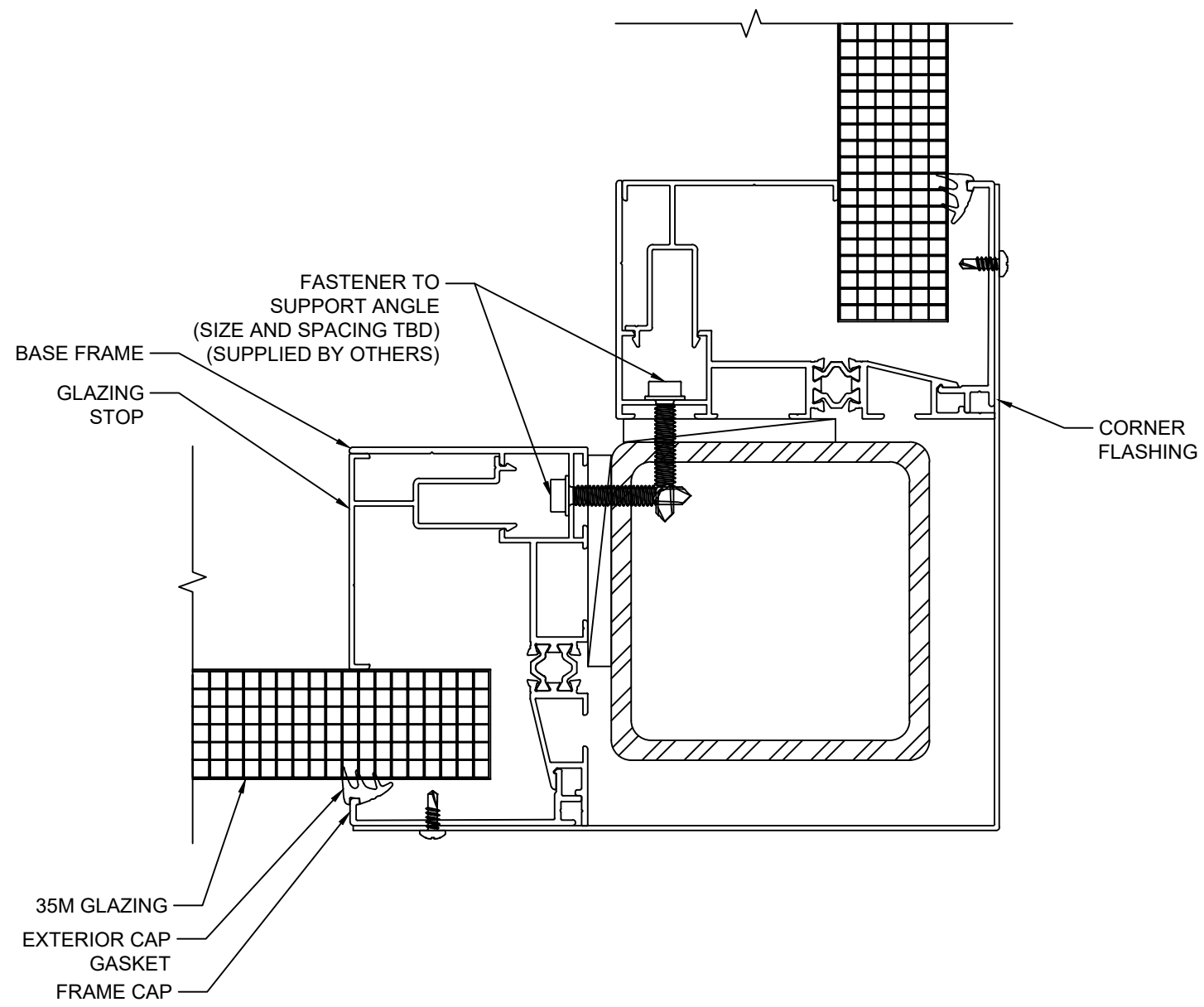
Note:
Details are for reference only and not to be used for submittal purpose as they can change without notice.

Please reach out to our Technical Services team for assistance with job specific detailing and engineering.

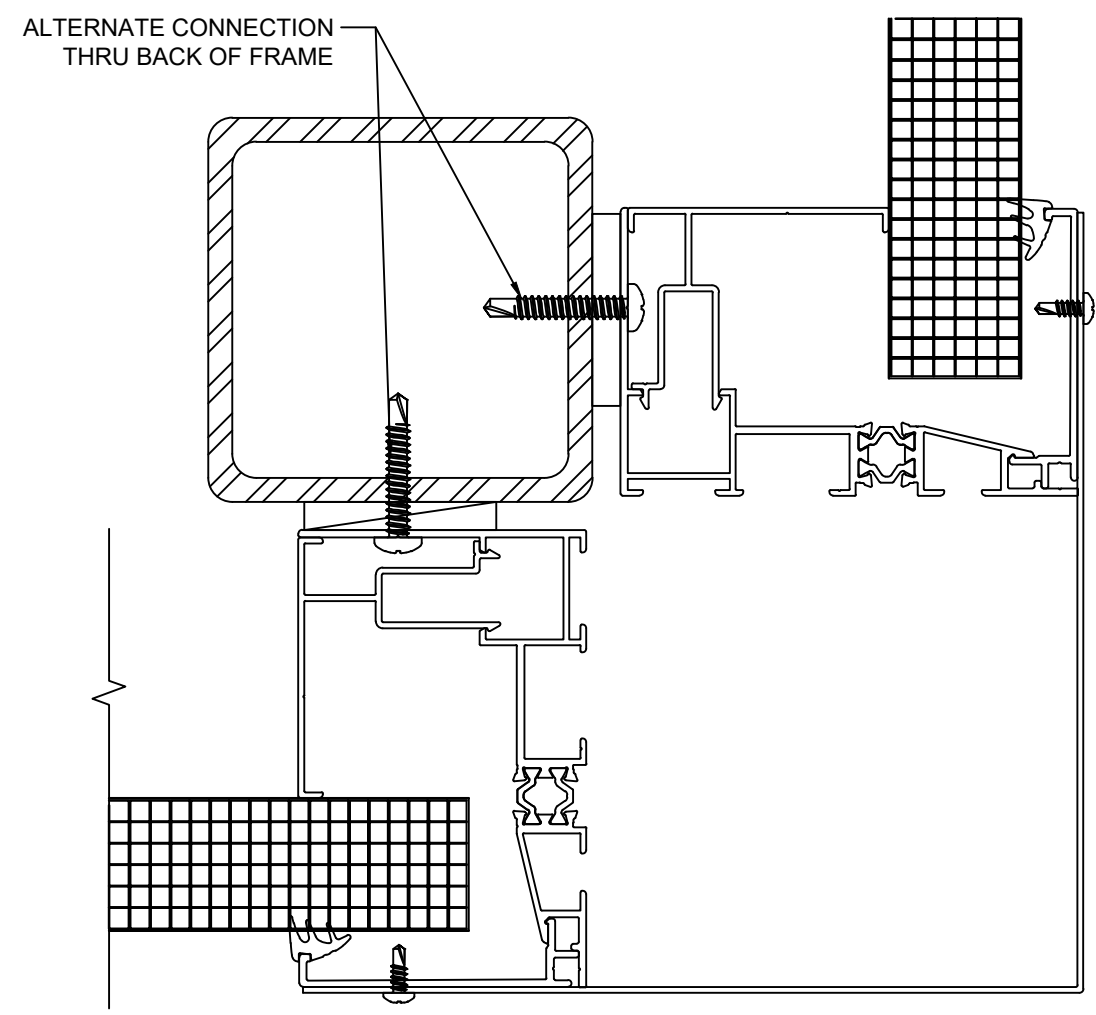
technicalservices@danpal.com

SHEET NO.:
1 OF 3





E₁ CORNER DETAIL
SCALE: 1:2

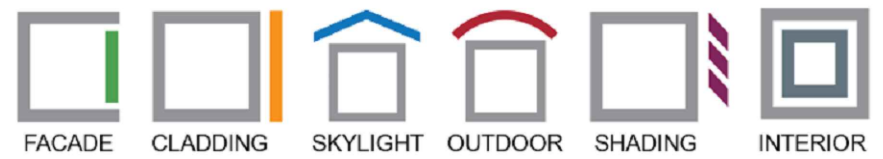


E₂ CORNER DETAIL
SCALE: 1:2



3959 Bur Wood Drive
Suite 400
Waukegan, IL 60085
312.724.8166
www.danpal.com

AIRPT FACADE SYSTEM
SAMPLE DETAILS, 35MM



Note:
Details are for reference only and not to be used for submittal purpose as they can change without notice.
Please reach out to our Technical Services team for assistance with job specific detailing and engineering.
technicalservices@danpal.com