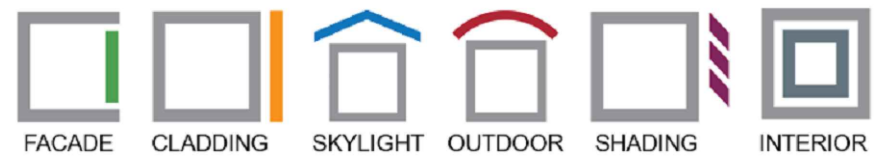


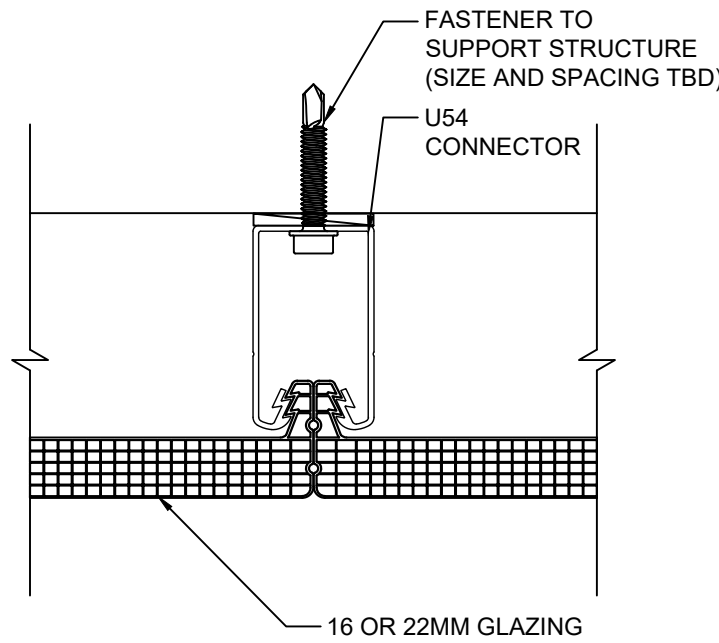
3959 Bur Wood Drive  
Suite 400  
Waukegan, IL 60085  
312.724.8166  
www.danpal.com

**NM SYSTEM**  
SAMPLE DETAILS FOR 16 OR 22MM GLAZING  
WITH MIDSPAN SUPPORT

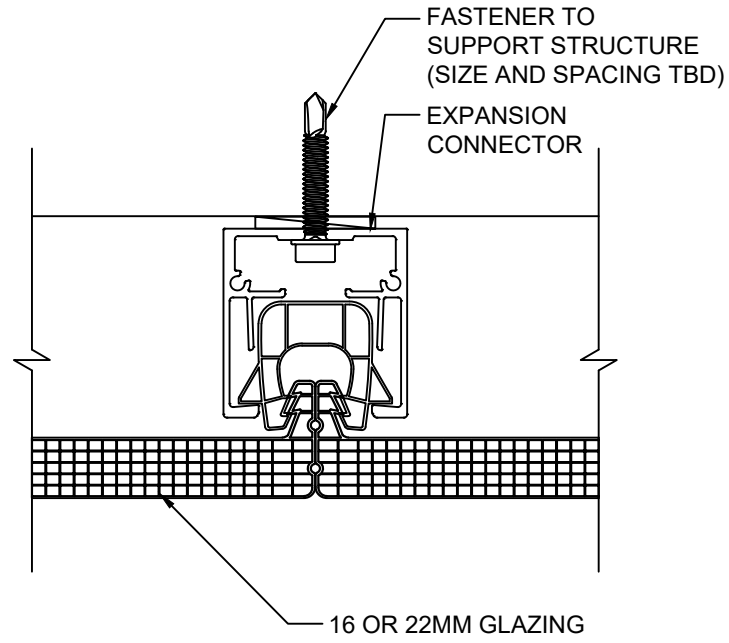


**Note:**  
Details are for reference only and not to be used for submittal purpose as they can change without notice.  
Please reach out to our Technical Services team for assistance with job specific detailing and engineering.  
danpal-na@danpal.com

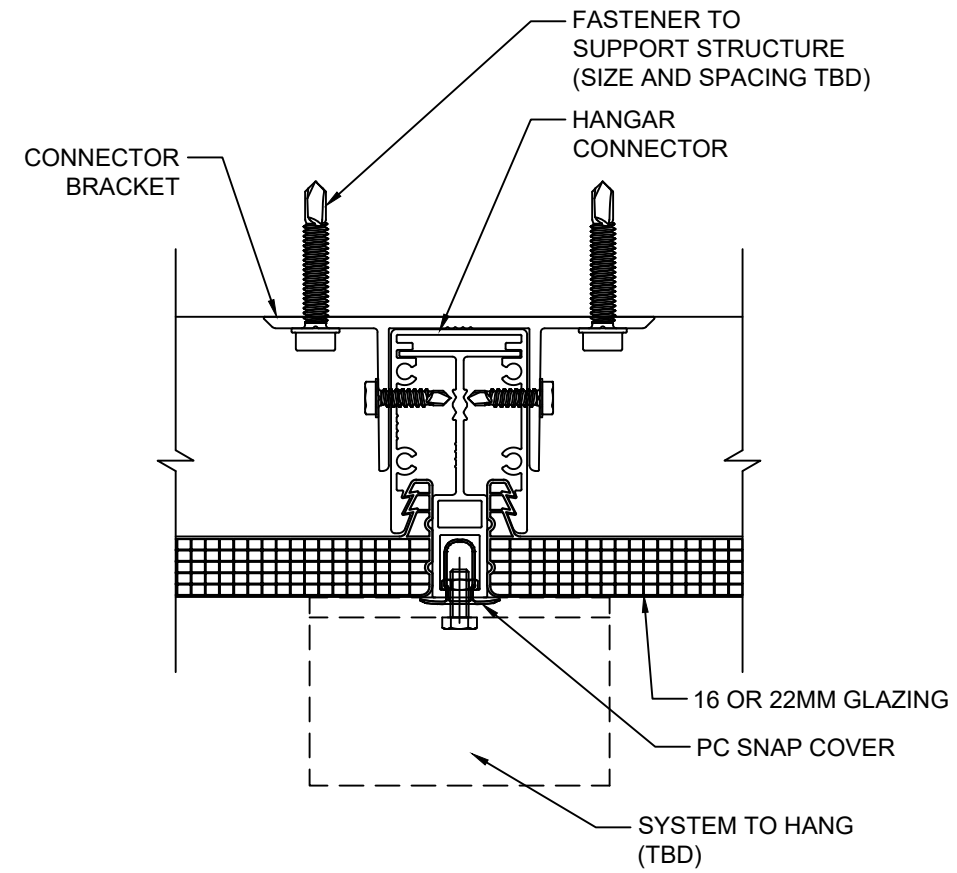
SHEET NO.:  
1 OF 2



**E<sub>1</sub>** CONNECTOR DETAIL  
SCALE: 1:2



**E<sub>2</sub>** CONNECTOR DETAIL  
SCALE: 1:2



**E<sub>3</sub>** CONNECTOR DETAIL  
SCALE: 1:2