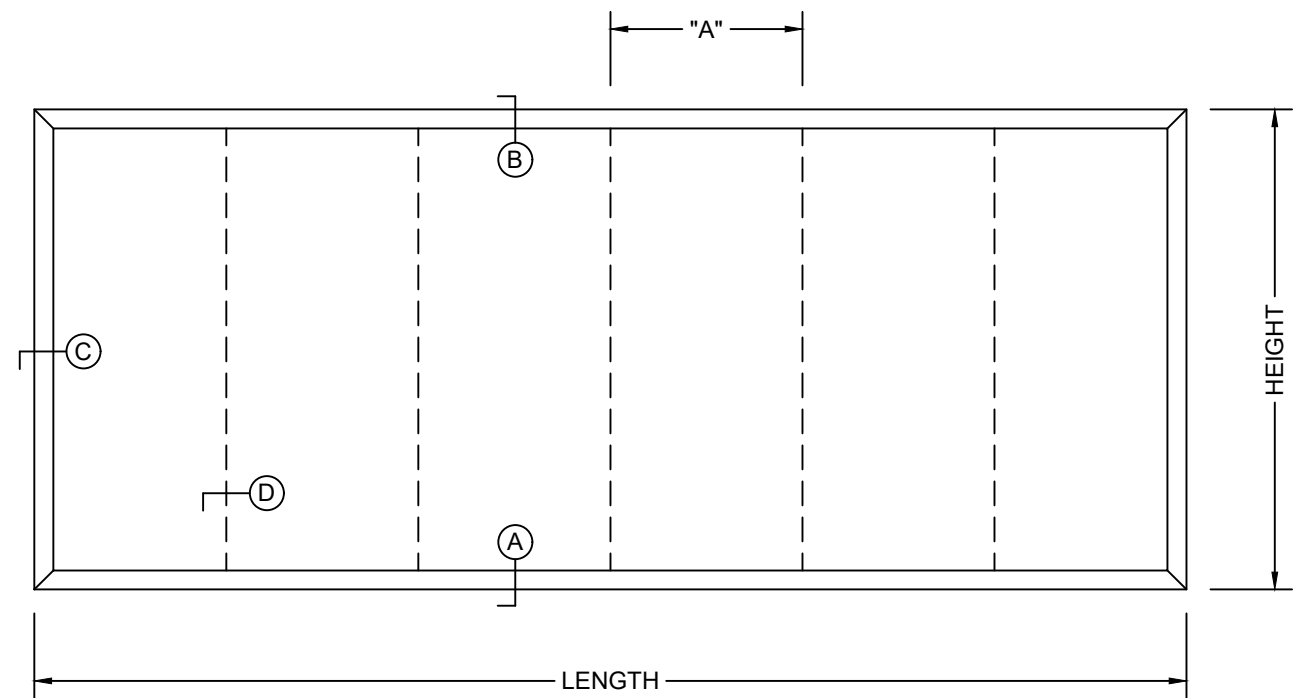
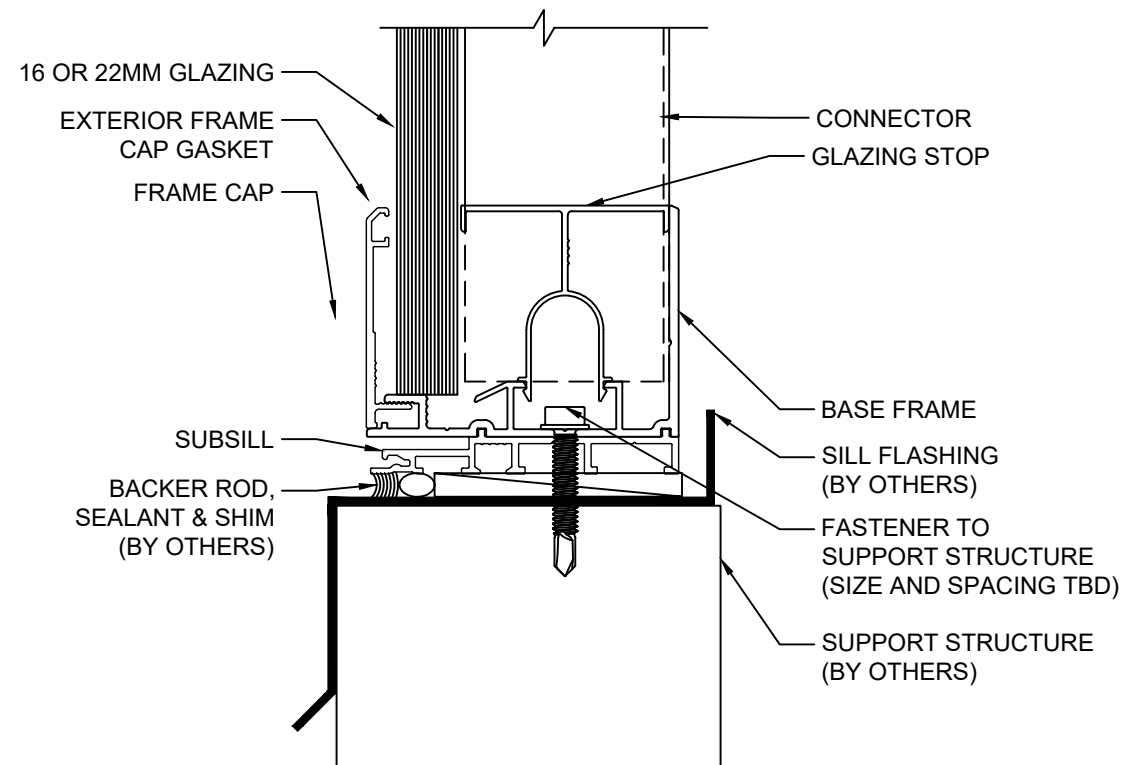


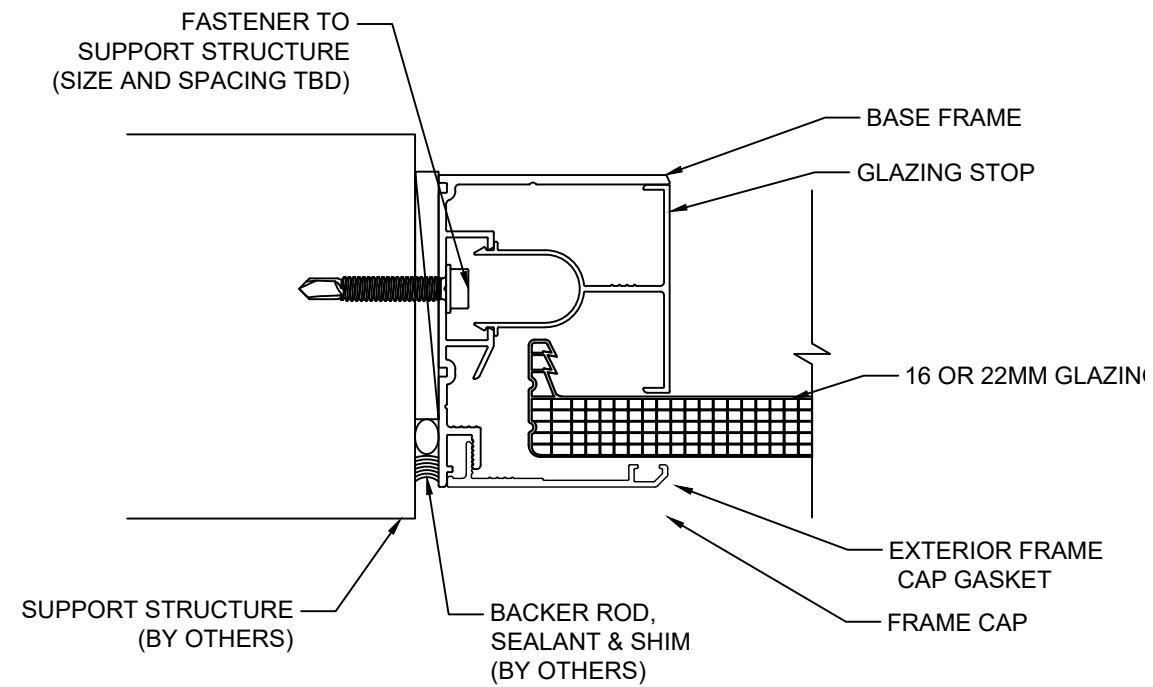
B HEAD DETAIL
SCALE: 1:2



"A"	
600mm	23.62in
900mm	35.43in
1040mm	40.94in
+14.5mm (0.57in) for hangar connector	

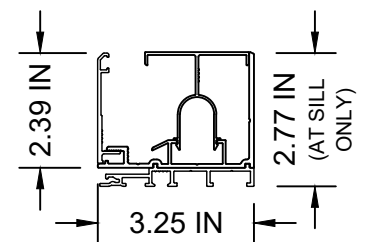


A SILL DETAIL
SCALE: 1:2



C JAMB DETAIL
SCALE: 1:2

FRAME DIMENSIONS

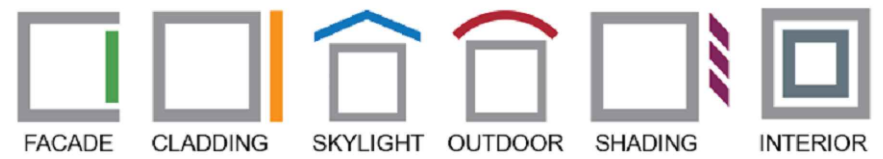


3959 Bur Wood Drive
Suite 400
Waukegan, IL 60085

312.724.8166

www.danpal.com

NM SYSTEM
SAMPLE DETAILS FOR 16 OR 22MM GLAZING

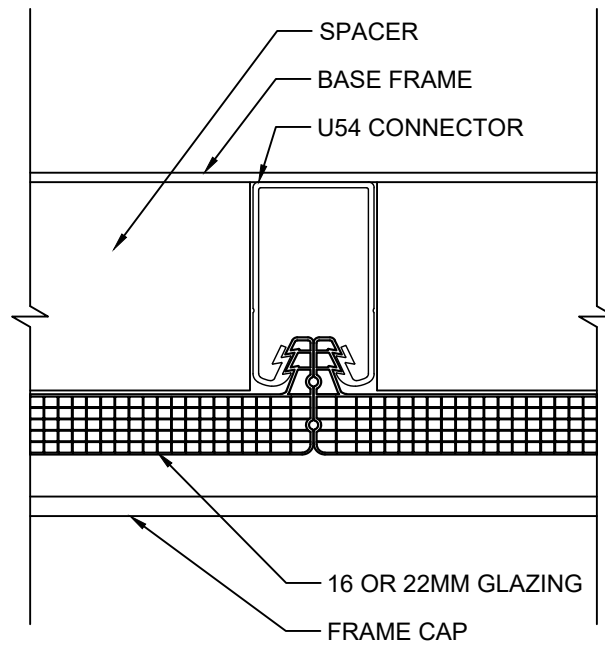


Note:
Details are for reference only and not to be used for submittal purpose as they can change without notice.

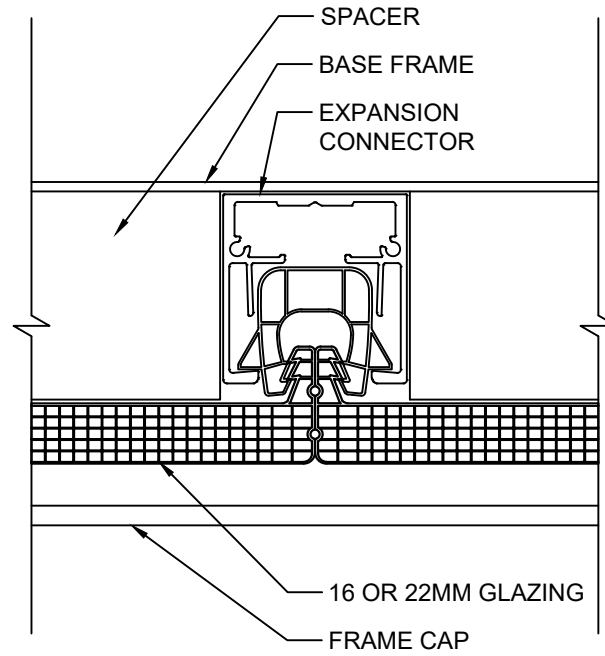
Please reach out to our Technical Services team for assistance with job specific detailing and engineering.

danpal-na@danpal.com

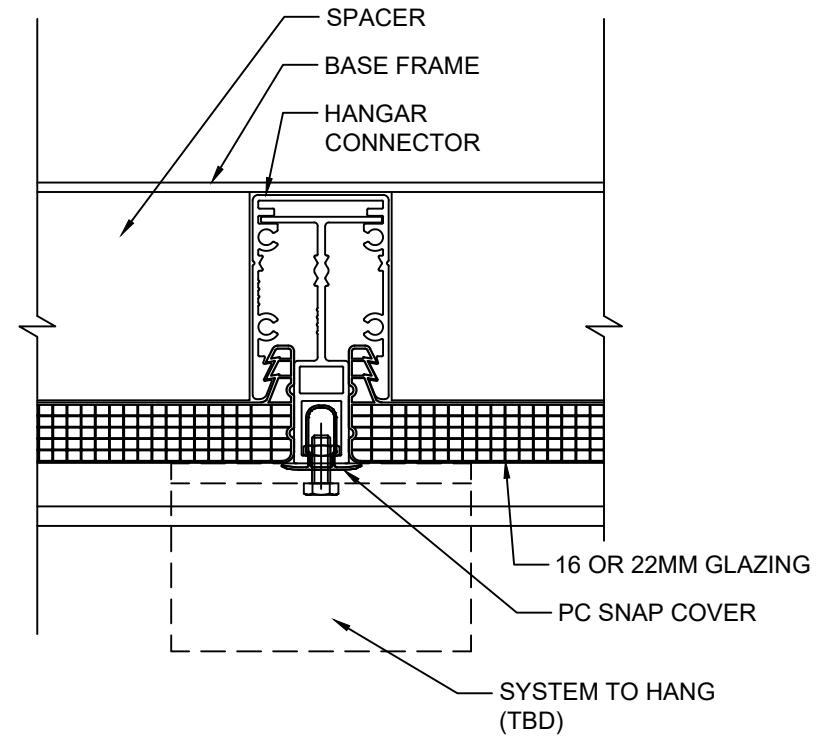
SHEET NO.:
1 OF 2



C₁ CONNECTOR DETAIL
SCALE: 1:2



C₂ CONNECTOR DETAIL
SCALE: 1:2



C₃ CONNECTOR DETAIL
SCALE: 1:2