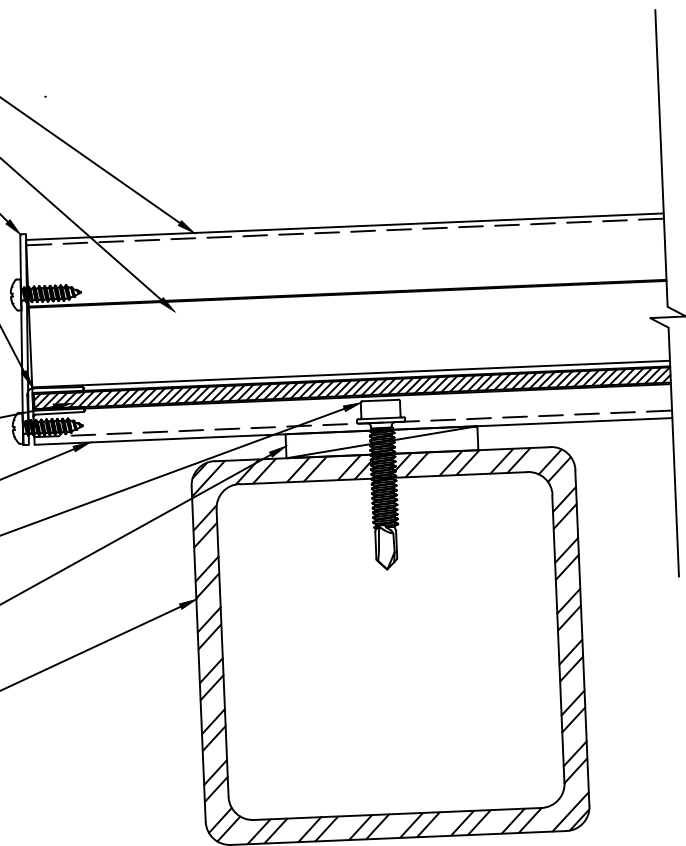
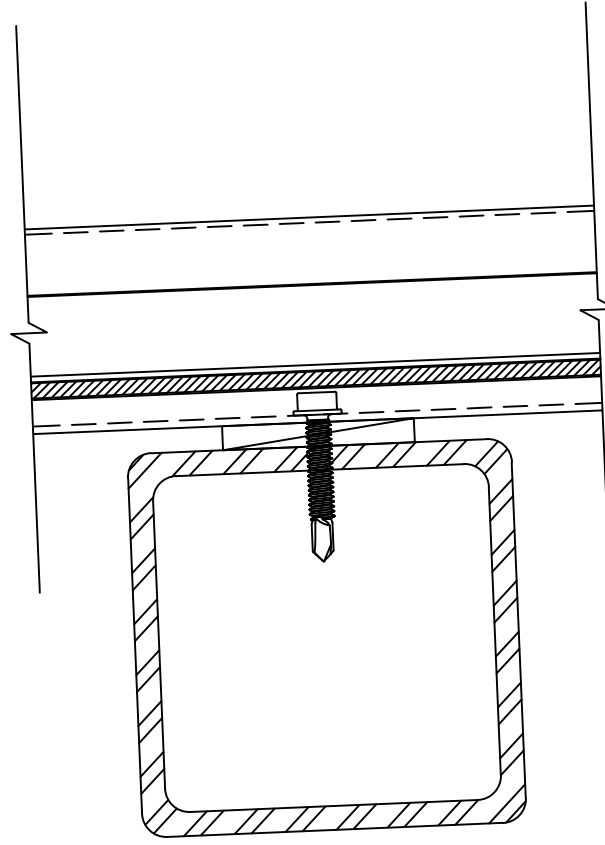


Dimensions	
Panel	"A"
592mm	23.72in

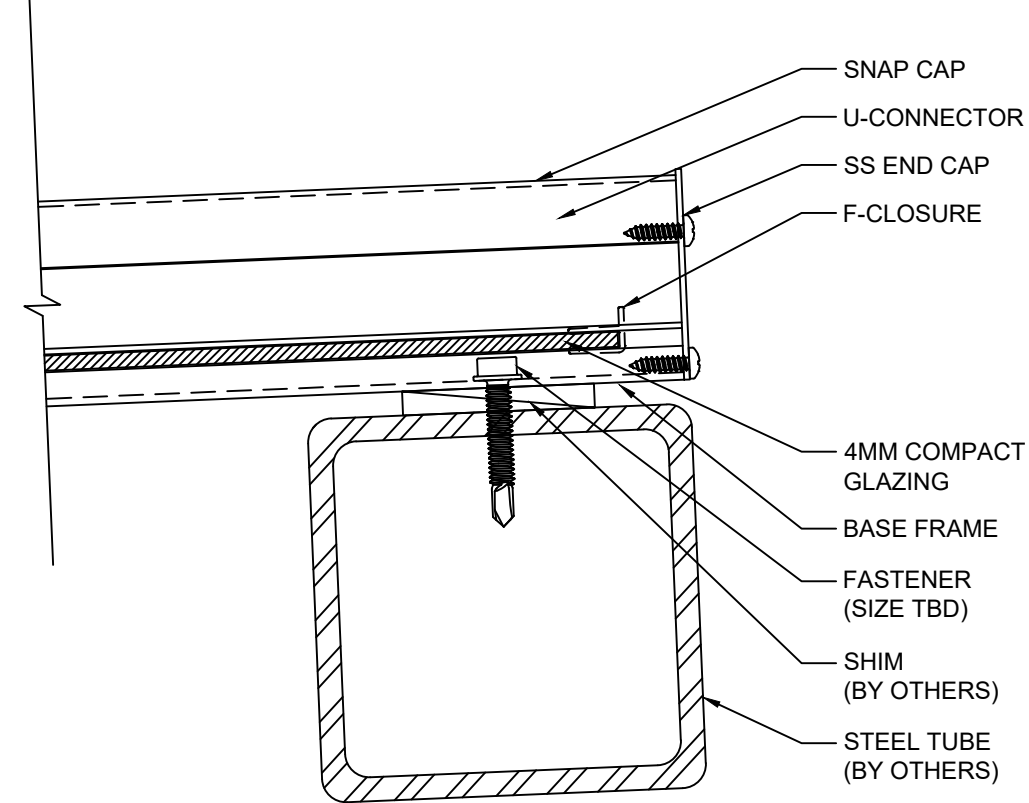
- SNAP CAP
- U-CONNECTOR
- SS END CAP
- F-CLOSURE
- 4MM COMPACT GLAZING
- BASE FRAME
- FASTENER (SIZE TBD)
- SHIM (BY OTHERS)
- STEEL TUBE (BY OTHERS)



A
1 SILL DETAIL



B
1 INTERMEDIATE DETAIL



C
1 HEAD DETAIL

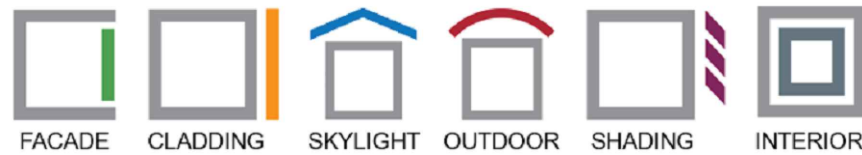
- SNAP CAP
- U-CONNECTOR
- SS END CAP
- F-CLOSURE
- 4MM COMPACT GLAZING
- BASE FRAME
- FASTENER (SIZE TBD)
- SHIM (BY OTHERS)
- STEEL TUBE (BY OTHERS)



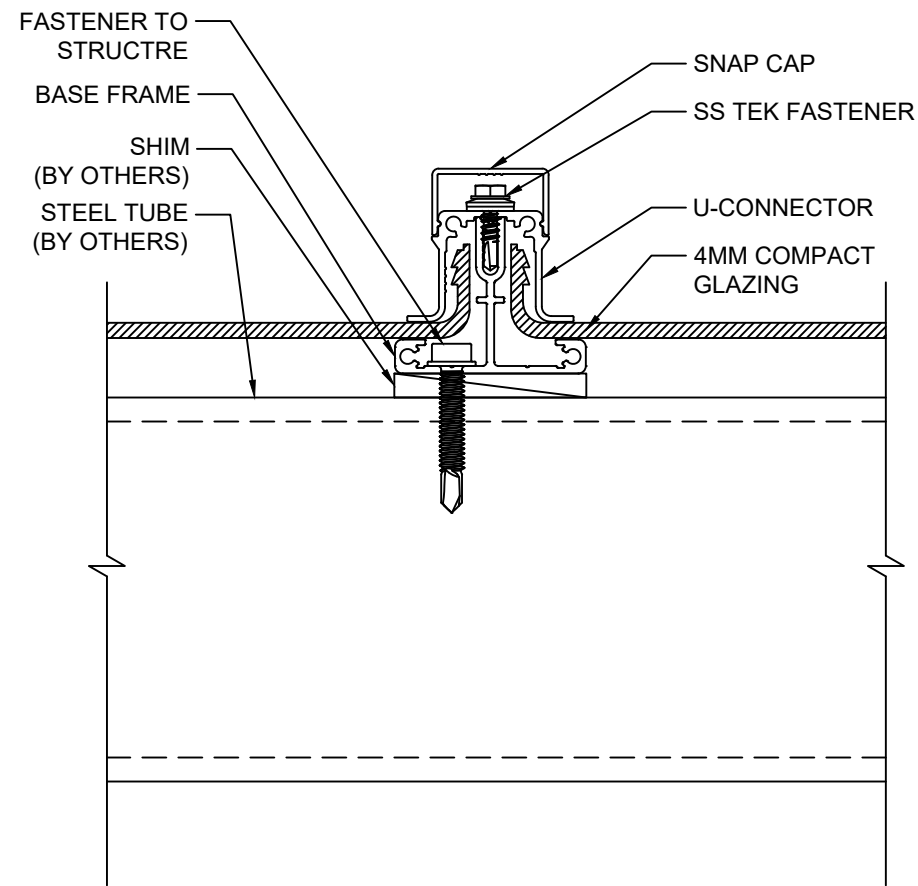
3959 Bur Wood Drive
Suite 400
Waukegan, IL 60085
312.724.8166
www.danpal.com

COMPACT SYSTEM

SYSTEM DETAILS
FREESPAN

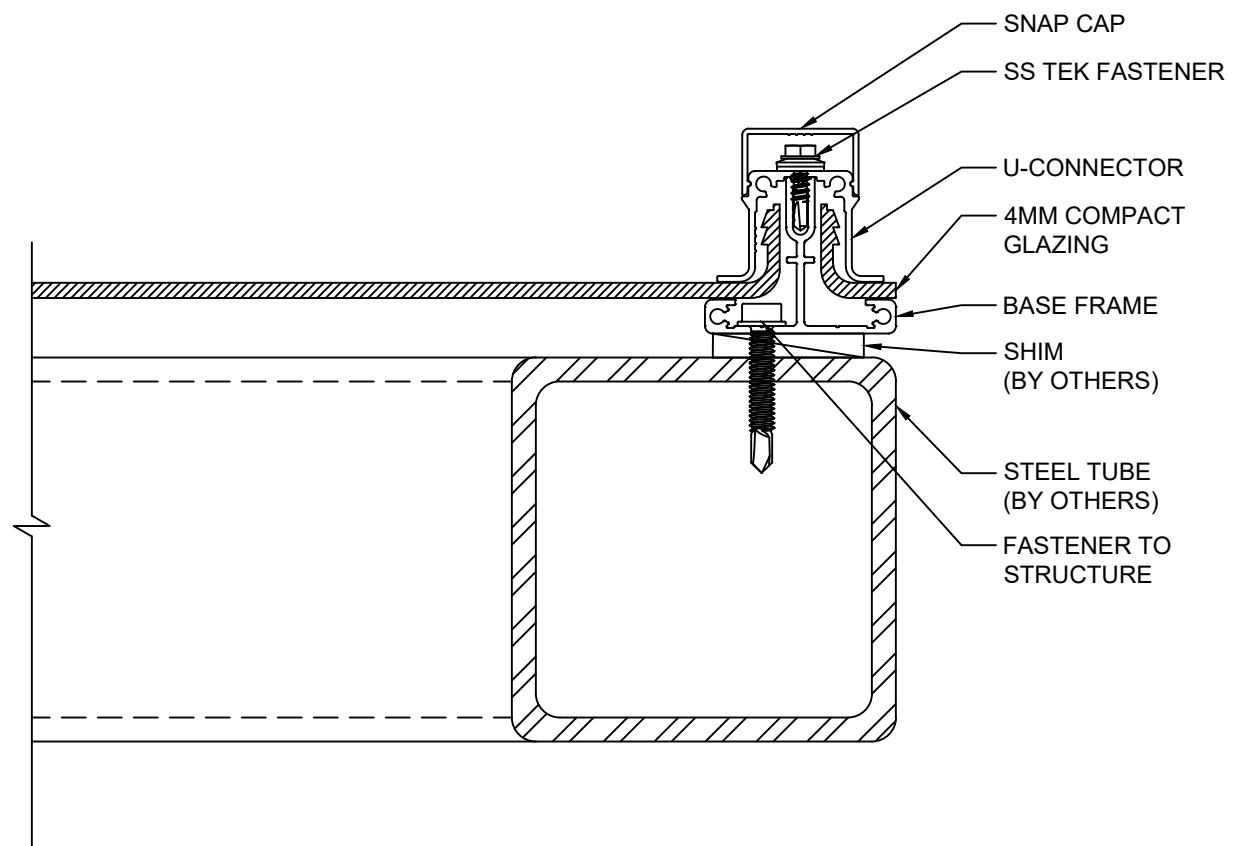


Note:
Details are for reference only and not to be used for submittal purpose as they can change without notice.
Please reach out to our Technical Services team for assistance with job specific detailing and engineering.
danpal-na@danpal.com



D
2

CONNECTOR DETAIL



E
2

END DETAIL