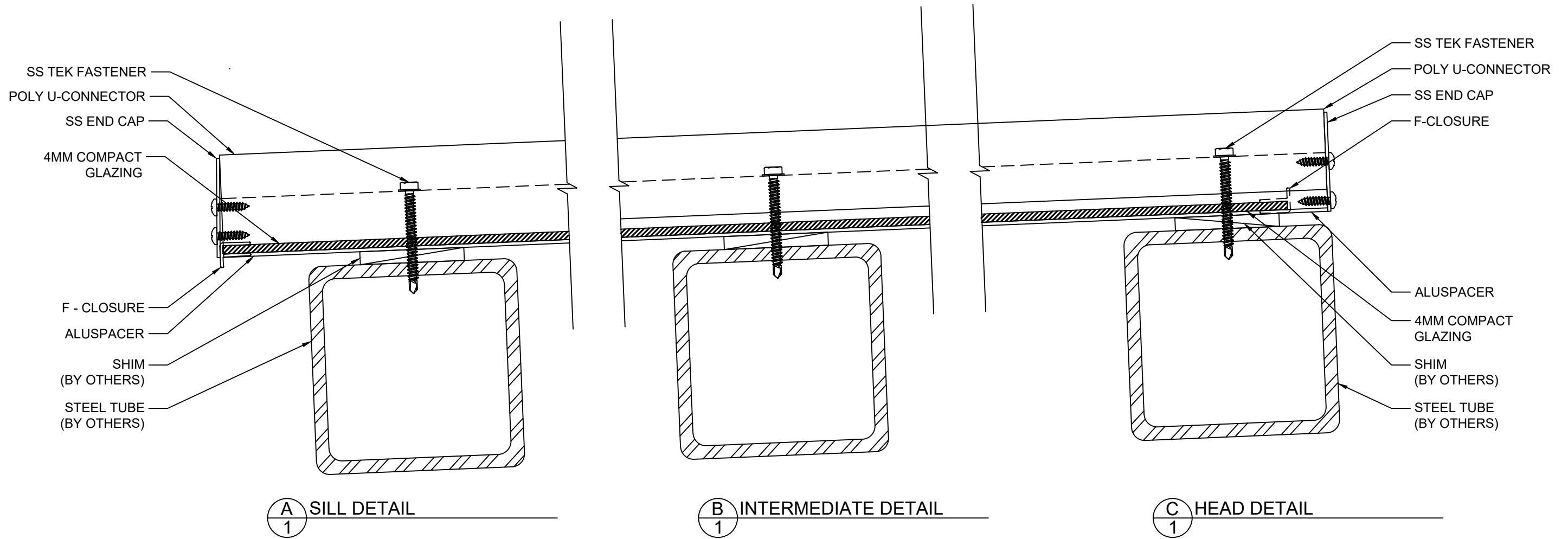


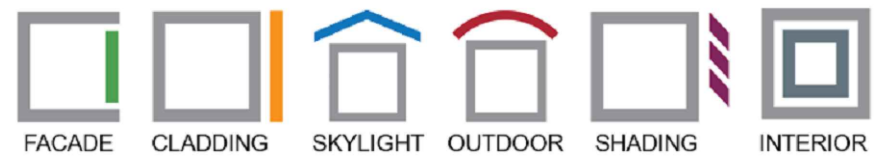
Dimensions	
Panel	"A"
592mm	23.81in



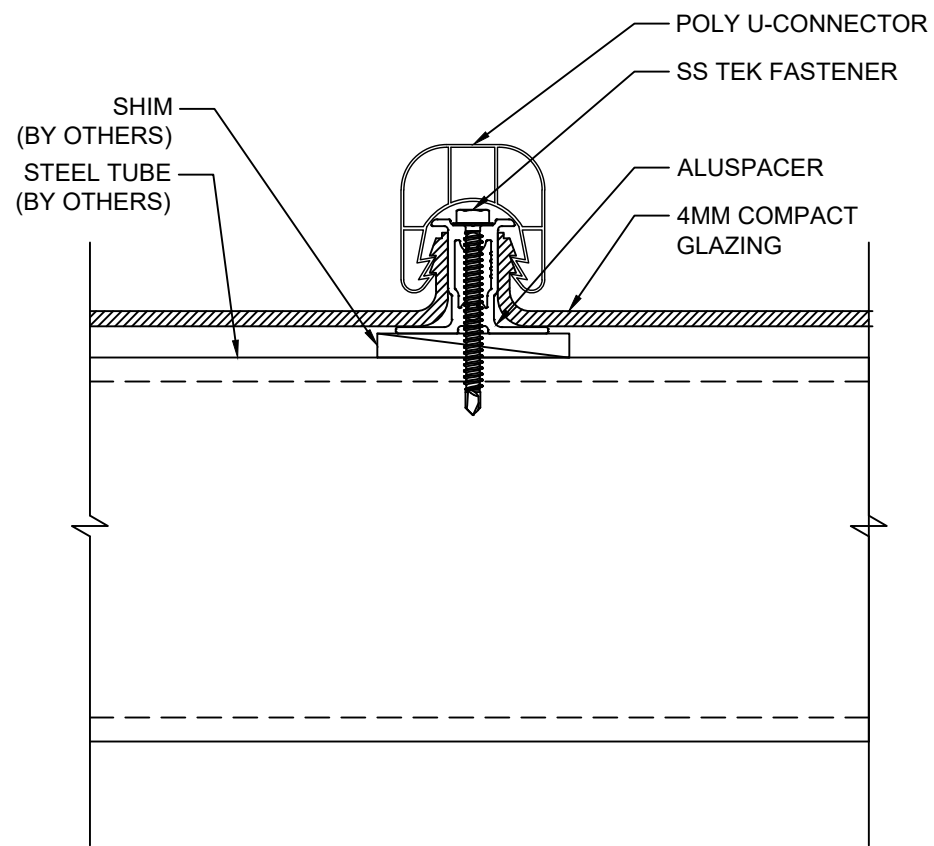
3959 Bur Wood Drive
Suite 400
Waukegan, IL 60085
312.724.8166
www.danpal.com

COMPACT SYSTEM

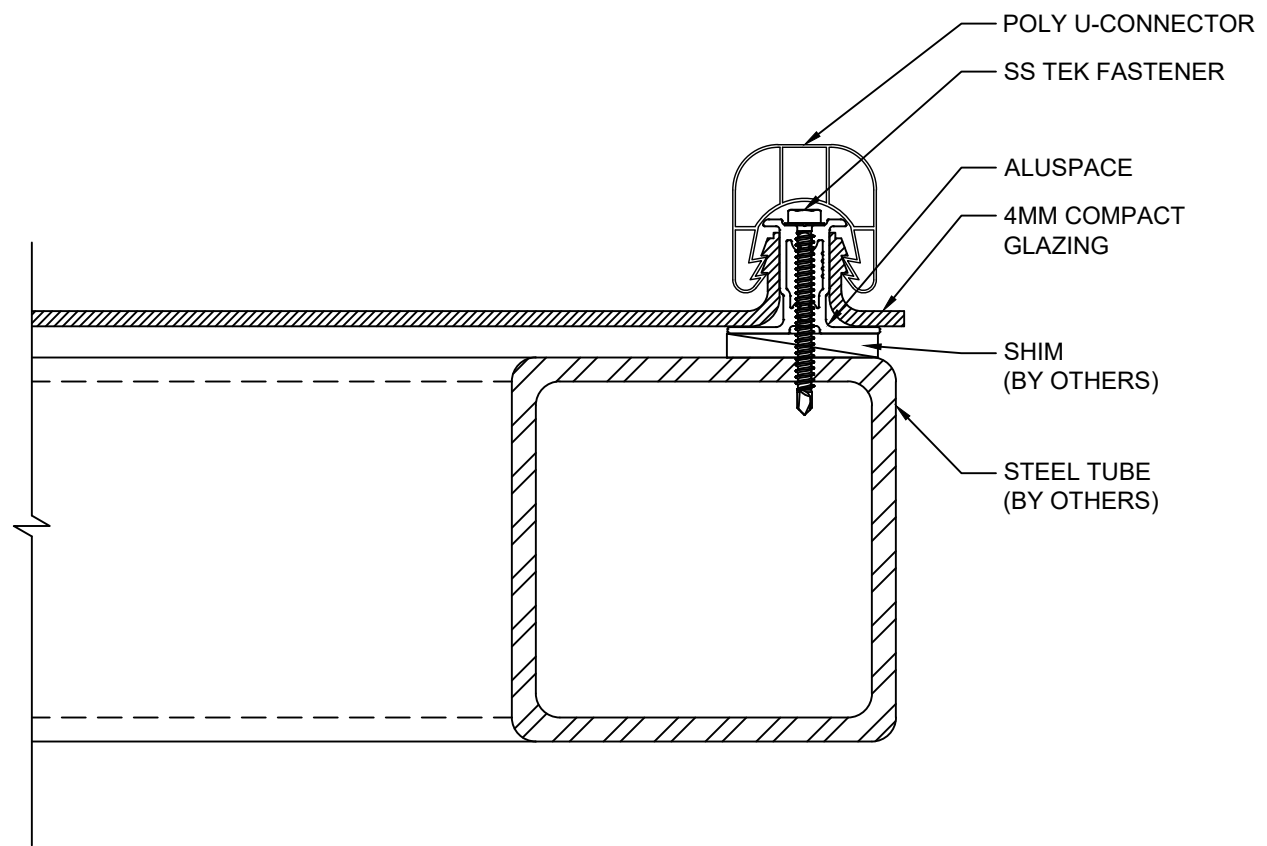
SYSTEM DETAILS
ALUSPACER



Note:
Details are for reference only and not to be used for submittal purpose as they can change without notice.
Please reach out to our Technical Services team for assistance with job specific detailing and engineering.
danpal-na@danpal.com



D CONNECTOR DETAIL
2



E END DETAIL
2